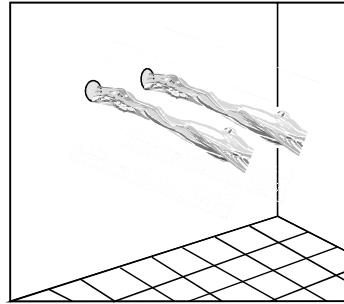


Installation instructions

2310700

Operating conditions

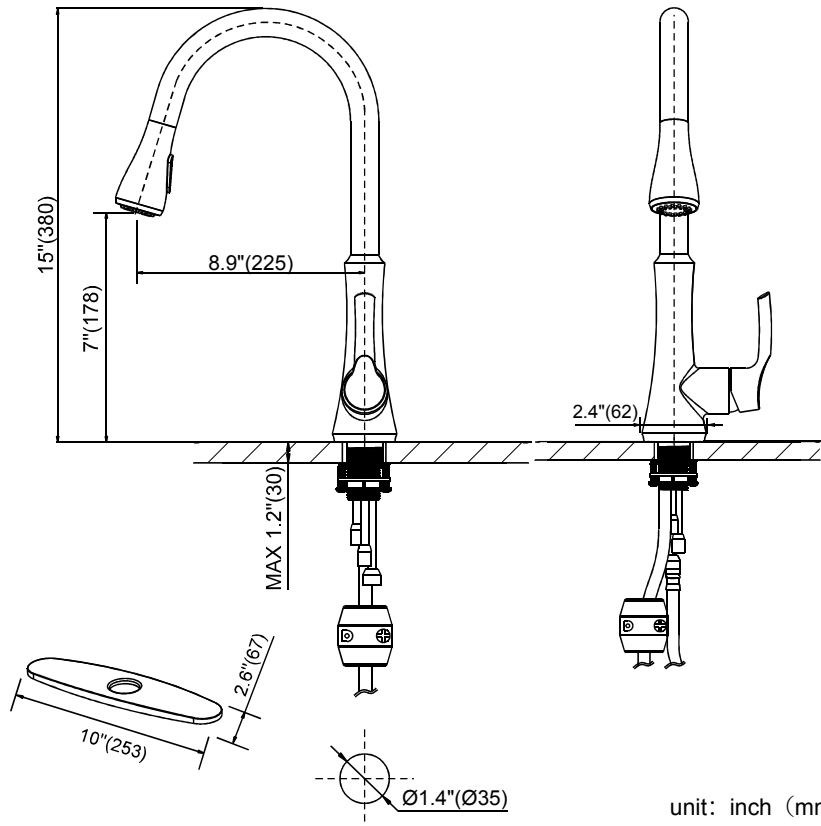
Recommended flow temperature $\leq 65^{\circ}\text{C}$
 Maximum flow temperature momentary $\leq 90^{\circ}\text{C}$
 Minimum flow pressure 1 bar
 Maximum flow pressure 5 bar
 Recommended operating pressure 3 bar
 Test pressure 16 bar



Notes

Before installing the valves, clean the water pipe thoroughly to avoid dirt and deposits

Technical data



1. Screw flexible hoses (14) under the body (1)
2. Attach the O-ring (3) to the base of faucet body.
3. Insert the plate (4) and washer (5) under the body
4. Insert washer (7) and SS304 washer (8) through threaded rod (2)
5. Screw hexagonal lock nut (9) on to threaded rod (2) and tighten.
6. Screw the nut (9) with screws (10) to fix the faucet body (1)
7. Connect pull-out hose (12) with washer (11) to inlet connection (6)
8. Attach weight (13) to pull-out hose (12)

