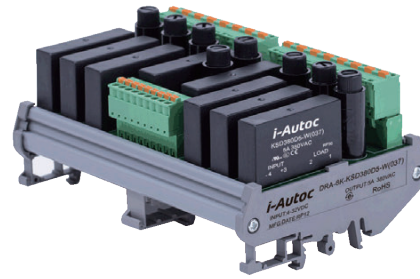


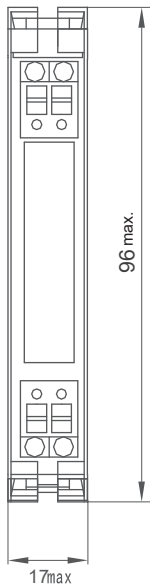
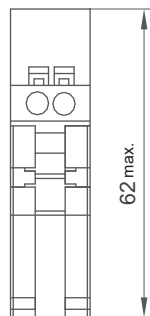
- ◆ Din Rail Mount
- ◆ High EMC Capability
- ◆ Integrate Fast Fuse Protection
- ◆ High Capability to Inrush Current
- ◆ LED Indicator: a Blown Fuse  
SSR Failure or Load Disconnection
- ◆ RoHS Compliant



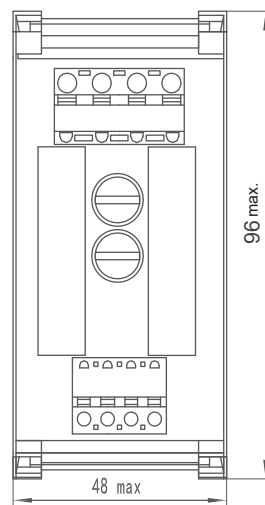
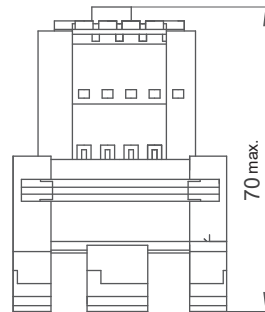
## Ordering Information

DR	A	- 8	K <sup>(1)</sup>	- KSD480D5-W (037)	(XXX)
DR Series	A: Mould A	1: 1 Channel 2: 2 Channel 4: 4 Channel 8: 8 Channel	A: Common Anode K: Common Cathode	SSR -KSD*** -KSF*** -KSL***	Customized Code

## Outline Dimensions

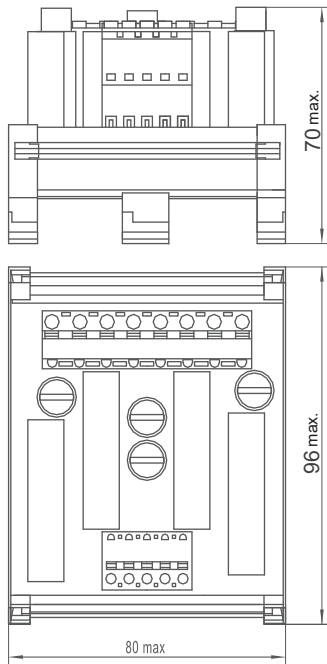


DRA-1 Series

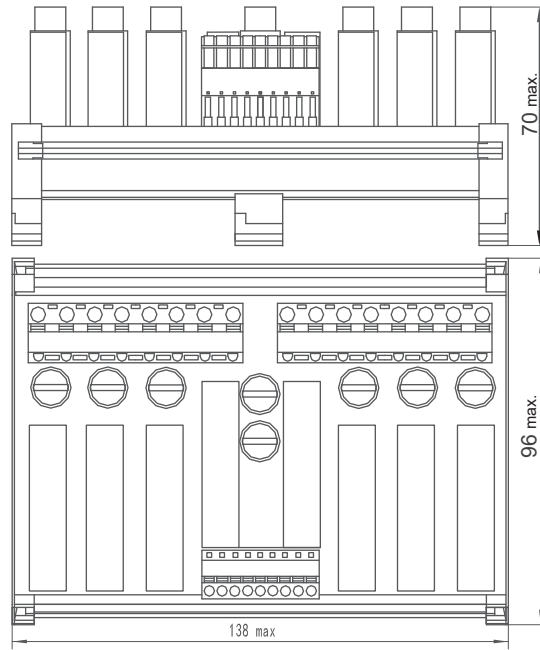


DRA-2 Series

## Outline Dimensions



DRA-4 Series



DRA-8 Series

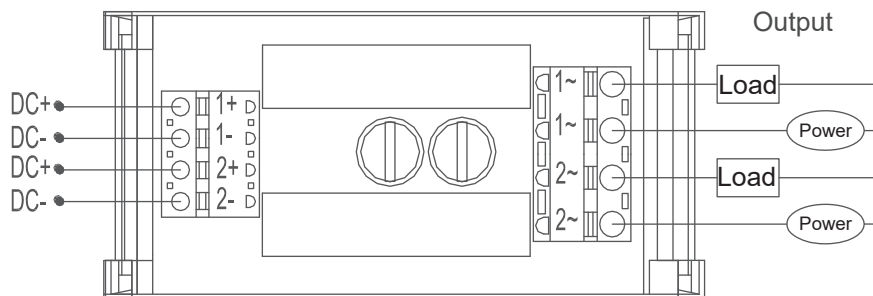
## Wiring Diagram



DRA-1-KSD Series Wiring Diagram

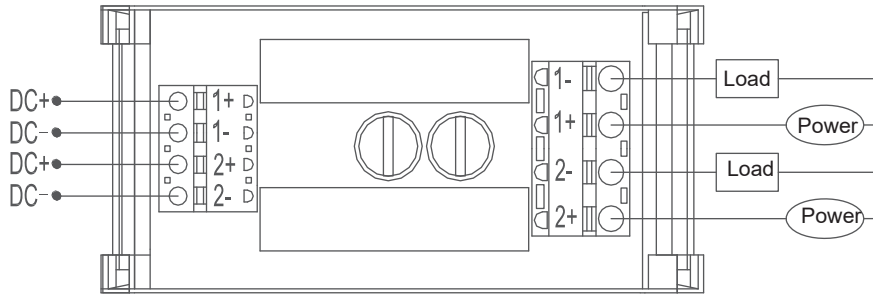


DRA-1-KSF/KSL Series Wiring Diagram

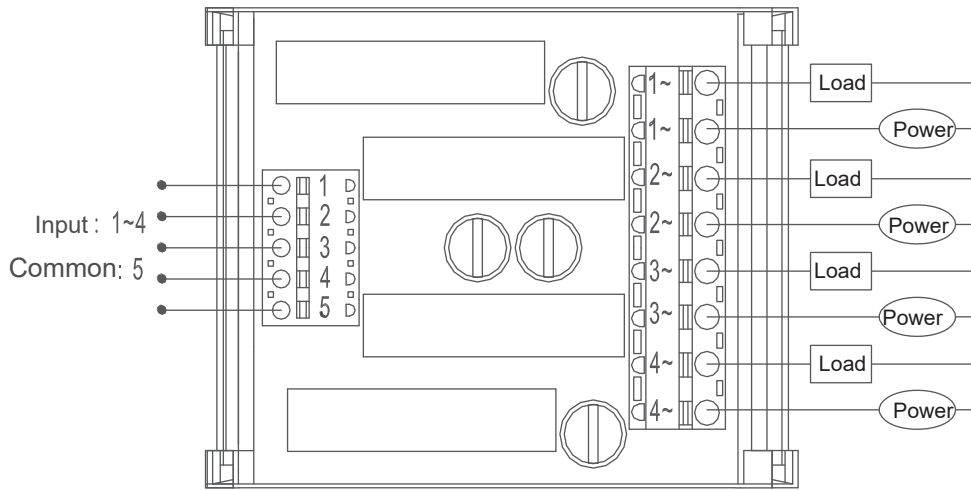


DRA-2-KSD Series Wiring Diagram

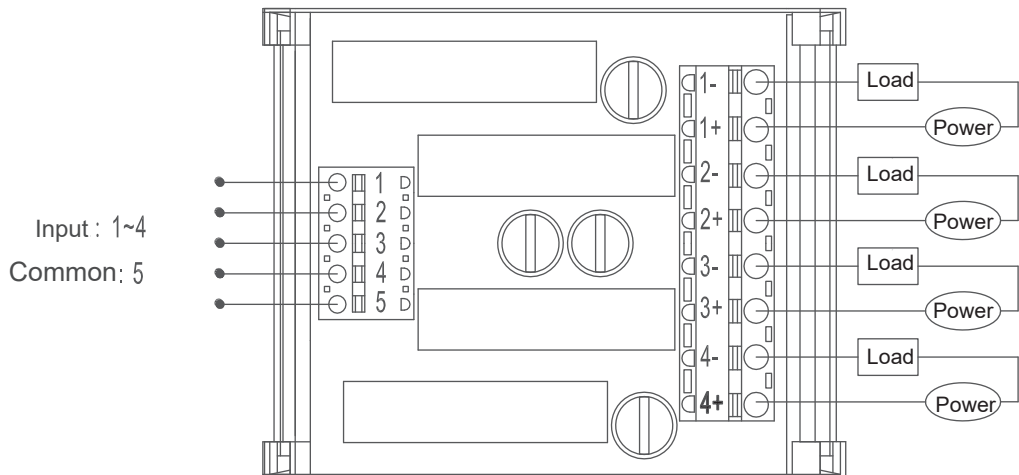
Wiring Diagram



DRA-2-KSF/ KSL Series Wiring Diagram

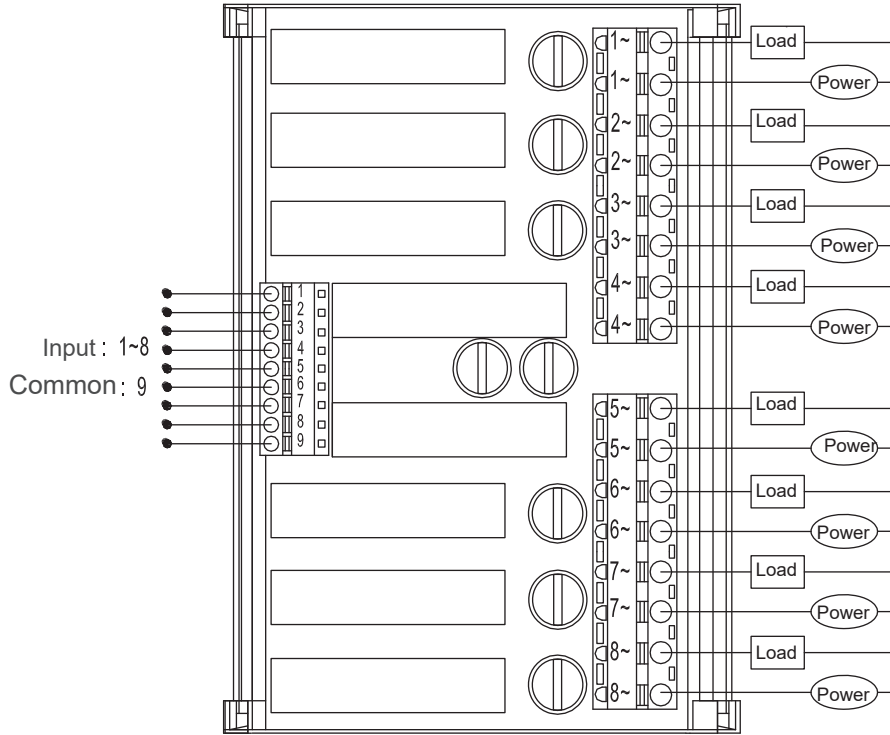


DRA-4A/K-KSD Series Wiring Diagram

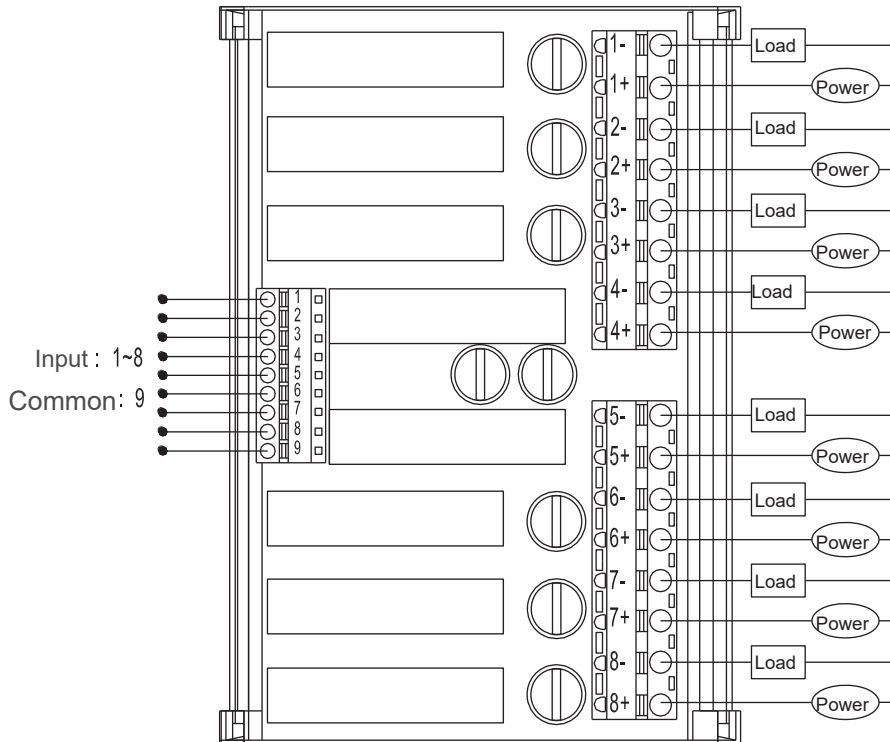


DRA-4A/K-KSF /KSL Series Wiring Diagram

**Wiring Diagram**



DRA-8A/ K-KSD Series  
Wiring Diagram



DRA-8A/ K-KSD Series  
Wiring Diagram

**General Notes**

1. Either DRA-1 or DRA-2 Series has no "A" or "K" option.

**Agency Approvals (Certification)**

