

Product Description

- ◆ Low Thermal Resistance
- ◆ KTP-0 (A) Suitable for KSI / KSJ / KSIA / KSID / KSQM / KWR / KMB / KMC / KYR single phase relay
- ◆ KTP-1 Suitable for KMS / KMT / KYRT / KMTY / KSQC Three Phase Relay
- ◆ KTP-2 Suitable for KSIM Mini Single Phase Relay
- ◆ Adhesive on One Side (Optional)
- ◆ Silicon Resin / Glass Fiber or Graphite
- ◆ RoHS Compliant



KTP-0



KTP-0A



KTP-1



KTP-2

Ordering Information



KTP Series



0: Single Phase
1: Three Phase
2: Mini Single Phase



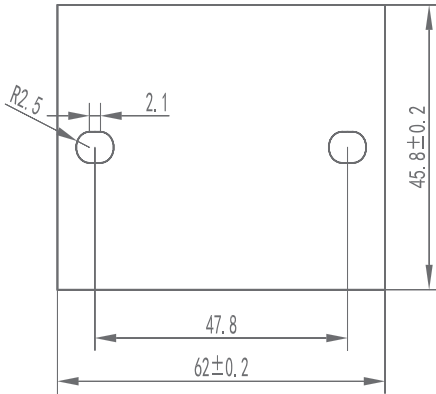
A: Adhesive on One Side
Blank: without Adhesive

General Specifications

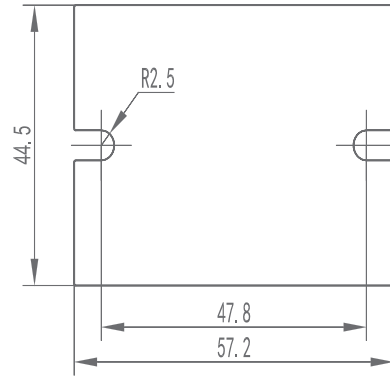
Color		Black
Thickness		0.15mm
Material	KTP-0A	Silicon Resin or Glass Fiber
	KTP-2	Silicon Resin or Glass Fiber
	KTP-0	Graphite
	KTP-1	Graphite
Adhesive One Side	KTP-0 (A)	Optional
Thermal Resistance		0.48°C-in ² / W@25 psi
Thermal Conductivity		2.0W/m-K
Flame Rating		V-0
Continuous Temperature Range		-60°C ~180°C
Storage Conditions	KTP-0A	Temperature: 23~27°C Humidity: 65±20%rh
Weight (Typical)	KTP-0 (A)	0.4g
	KTP-1	0.9g
	KTP-2	0.16g

Outline Dimensions

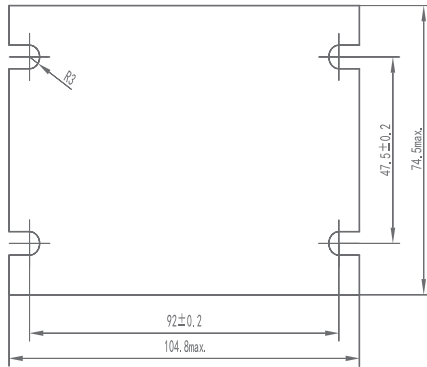
KTP-0



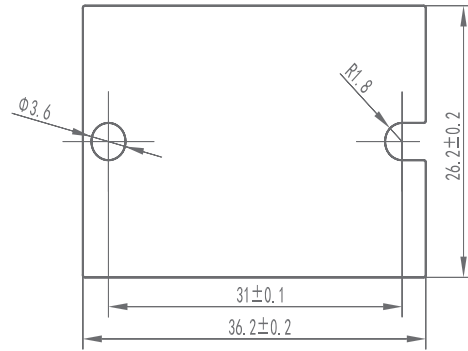
KTP-0 A



KTP-1



KTP-2



Agency Approvals (Certification)

