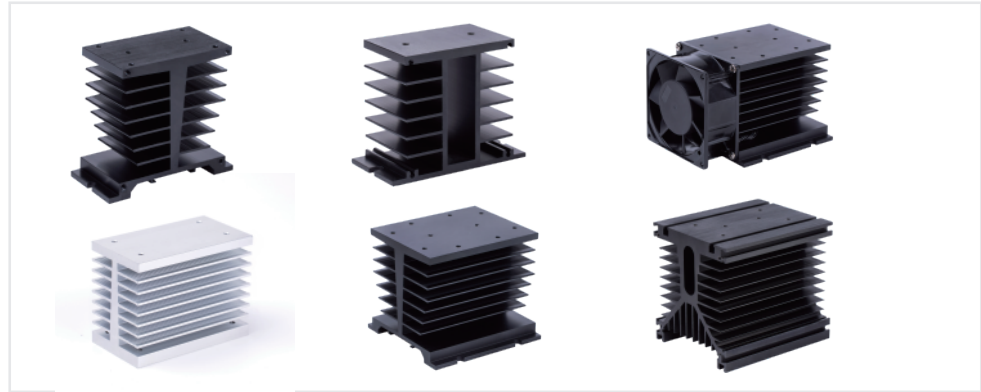


**Product Description**

- ◆ Material: Aluminum
- ◆ Din-rail Optional
- ◆ Fan Optional
- ◆ Customization Available
- ◆ RoHS Compliant



**Ordering Information**

<b>KHS</b>	<b>-D</b>	<b>50</b>	<b>-F</b>	<b>110AC</b>	<b>(XXX)</b>
KHS Series <sup>(1)</sup>	Series A: A Series B: B Series C: C Series D: D Series E: E Series F: F Series G: G Series	Length 32: 32mm 49: 49mm 50: 50mm 70: 70mm 76: 76mm 90: 90mm 110: 110mm 150: 150mm	Accessory Blank: No Accessory F: Fan D: Din-rail B: Fan & Din-rail	Fan Voltage Blank: No Fan 24DC: 24VDC 110AC: 110VAC 220AC: 220VAC	Customized Code

<sup>(1)</sup>Part numbers available are listed in the table below.

**Part Numbers**

Heat Sink P/N	Dimension (mm)	Thermal Resistance (°C/W)	Suitable for SSR P/N
KHS-A32	80×50×32	2.8	KSIM
KHS-A50	80×50×50	2.1	KSI, KSIA, KSID, KMB, KMC
KHS-B70	50×69×70	1.9	KSI, KSIA, KSID, KMB, KMC
KHS-B70-D	50×83×81	1.9	KSI, KSIA, KSID, KMB, KMC
KHS-B90-D	50×78×122	1.7	KSI, KSIA, KSID, KMB, KMC
KHS-C49	100×80×50	1.7	KSI, KSIA, KSID, KMB, KMC
KHS-C110	100×81×110	0.9	KSI, KSIA, KSID, KMB, KMC, KSQC, KSQF, KMS, KMTYM
KHS-C110-F□□□	100×81×140	0.4	KSI, KSIA, KSID, KMB, KMC, KSQC, KSQF, KMS, KMTYM
KHS-D50	96×106×50	1.6	KSI, KSIA, KSID, KMB, KMC, KMTYM
KHS-D50-F□□□	96×106×80	0.6	KSI, KSIA, KSID, KMB, KMC, KMTYM
KHS-D110	96×106×110	0.8	KSI, KSIA, KSID, KMB, KMC, KSQC, KSQF, KMS, KMTYM
KHS-D110-F□□□	96×106×140	0.35	KSI, KSIA, KSID, KMB, KMC, KSQC, KSQF, KMS, KMTYM
KHS-E76	123×67×76	1.5	KSI, KSIA, KSID, KMB, KMC

Model	Dimension (mm)	Thermal Resistance (°C/W)	Suitable for SSR P/N
KHS-F150	142×55×150	1.1	KSI, KSIA, KSID, KMB, KMC, KSR, KSQA, KSQC, KSQF, KMS
KHS-G150	125×135×150	0.4	KSI, KSIA, KSID, KMB, KMC, KSR, KSQA, KSQC, KSQF, KMS
KHS-G150-F□□□	125×135×193	0.15	KSI, KSIA, KSID, KMB, KMC, KSR, KSQA, KSQC, KSQF, KMS

**General Specifications**

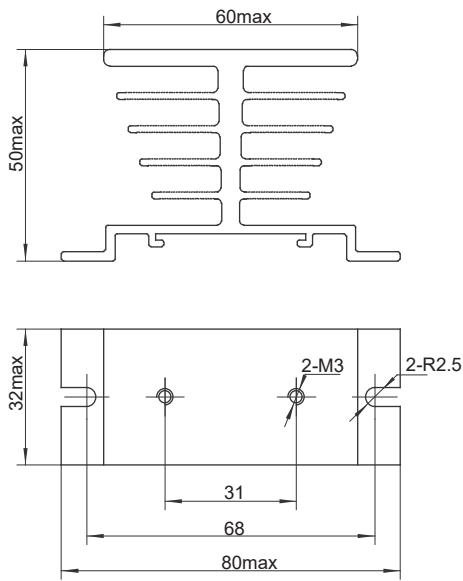
Series	A Series		B Series
Photo			
Model	KHS-A32	KHS-A50	KHS-B70
Thermal Resistance (°C/W)	2.8	2.1	1.9
N.W. (g)	70	115	235
Outer Dimension (mm)	80×50×32	80×50×50	50×69×70
Suitable for	KSIM	KSI, KSIA, KSID, KMB, KMC	KSI, KSIA, KSID, KMB, KMC
Series	B Series		C Series
Photo			
Model	KHS-B70-D	KHS-B90-D	KHS-C49
Thermal Resistance (°C/W)	1.9	1.7	1.7
N.W. (g)	290	390	255
Outer Dimension (mm)	50×82.5×81	50×78×122	100×80×50
Suitable for	KSI, KSIA, KSID, KMB, KMC	KSI, KSIA, KSID, KMB, KMC	KSI, KSIA, KSID, KMB, KMC
Series	C Series		D Series
Photo			
Model	KHS-C110	KHS-C110-F□□□	KHS-D50
Thermal Resistance (°C/W)	0.9	0.4	1.6
N.W. (g)	560	830	406
Outer Dimension (mm)	100×80×110	100×80×140	96×106×50
Suitable for	KSI, KSIA, KSID, KMB, KMC, KSQA, KSQC, KSQF, KMS, KMTYM	KSI, KSIA, KSID, KMB, KMC, KSQC, KSQF, KMS, KMTYM	KSI, KSIA, KSID, KMB, KMC, KMTYM
Series	D Series		
Photo			
Model	KHS-D50-F□□□	KHS-D110	KHS-D110-F□□□
Thermal Resistance (°C/W)	0.6	0.8	0.35
N.W. (g)	675	895	1160
Outer Dimension (mm)	96×106×80	96×106×110	96×106×140
Suitable for	KSI, KSIA, KSID, KMB, KMC, KMTYM	KSI, KSIA, KSID, KMB, KMC, KSQA, KSQC, KSQF, KMS, KMTYM	KSI, KSIA, KSID, KMB, KMC, KSQA, KSQC, KSQF, KMS, KMTYM

General Specifications

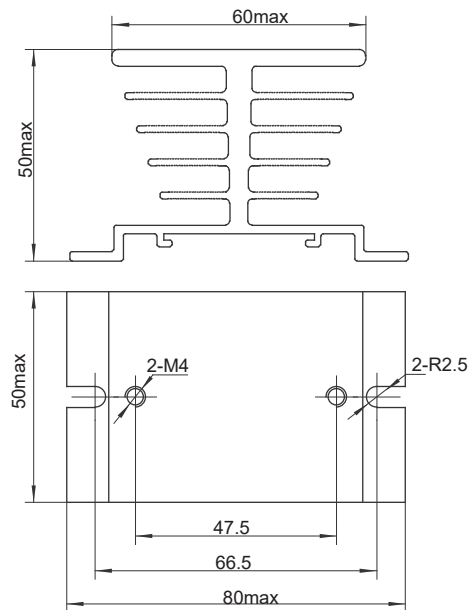
Series	E Series	F Series	G Series
Photo			
Model	KHS-E76	KHS-F150	KHS-G150
Thermal Resistance (°C/W)	1.5	1.1	0.4
N.W. (g)	300	539	2320
Outer Dimension (mm)	123×67×76	142×55×150	125×135×150
Suitable for	KSI, KSIA, KSID, KMB, KMC	KSI, KSIA, KSID, KMB, KMC, KSQA, KSQC, KSQF, KMS	KSI, KSIA, KSID, KMB, KMC, KSQA, KSQC, KSQF, KMS
Series	G Series		
Photo			
Model	KHS-G150-F□□□		
Thermal Resistance (°C/W)	0.15		
N.W. (g)	2590		
Outer Dimension (mm)	125×135×193		
Suitable for	KSI, KSIA, KSID, KMB, KMC, KSQA, KSQC, KSQF, KMS		

Outline Dimensions

A Series:



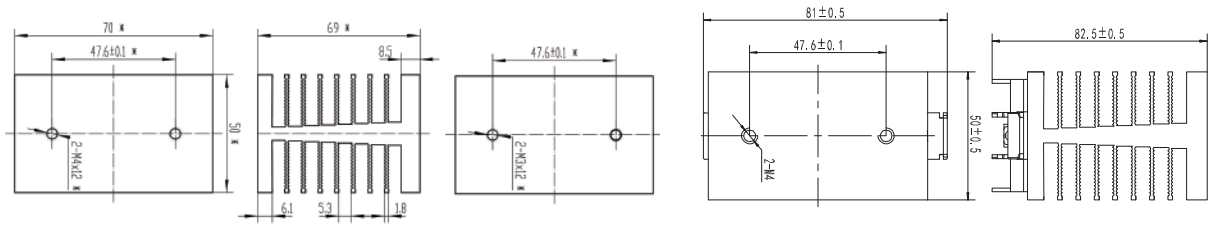
KHS-A32



KHS-A50

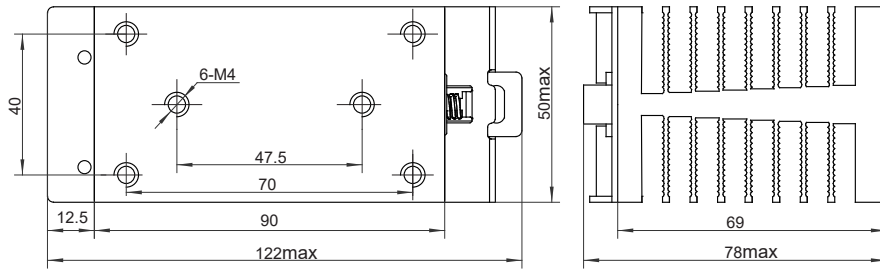
Outline Dimensions

B Series:



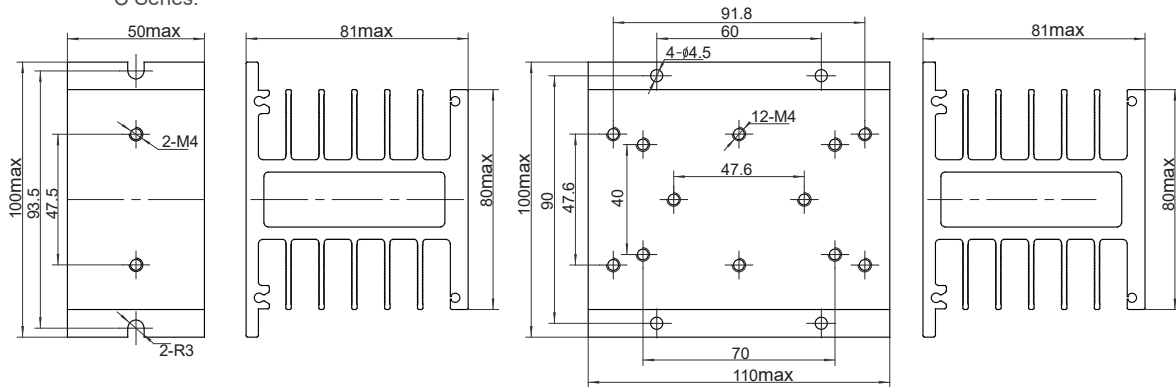
KHS-B70

KHS-B70-D



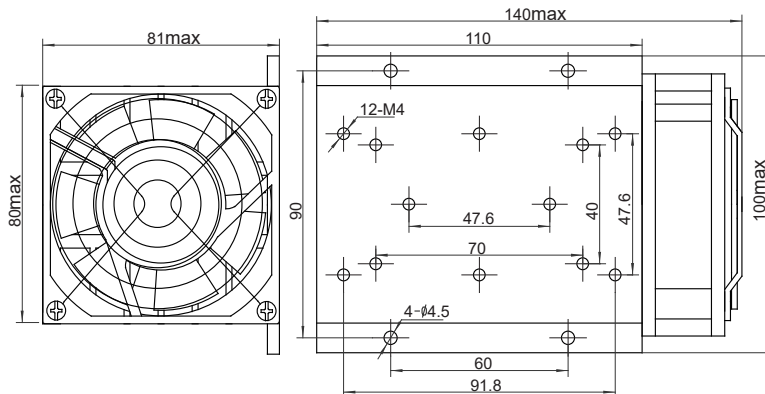
KHS-B90-D

C Series:



KHS-C49

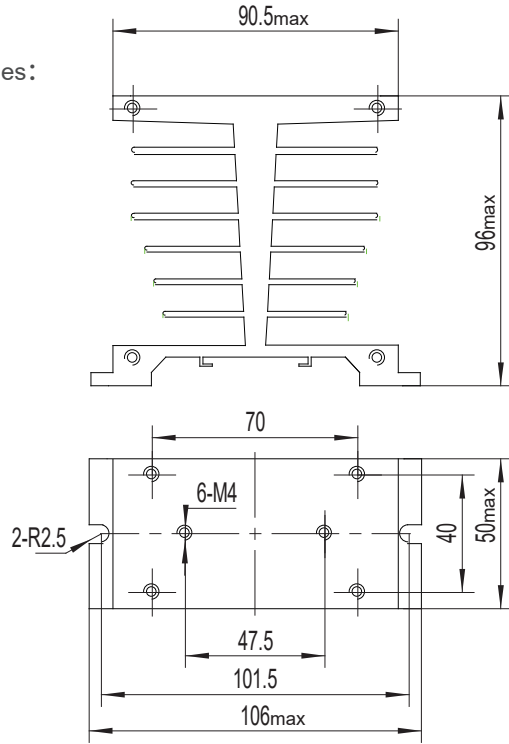
KHS-C110



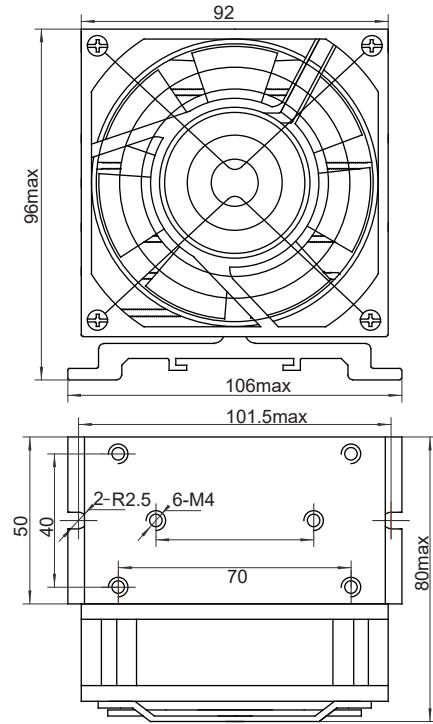
KHS-C110-F□□□

Outline Dimensions

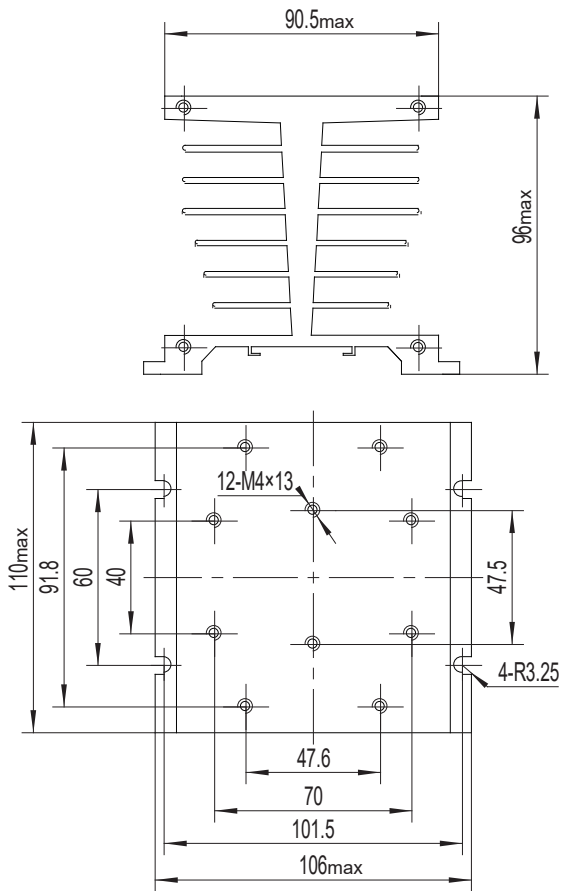
D Series:



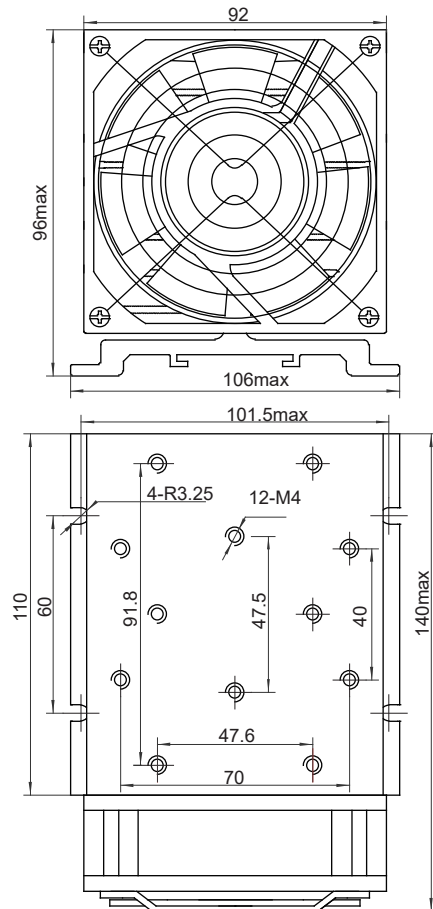
KHS-D50



KHS-D50-F000



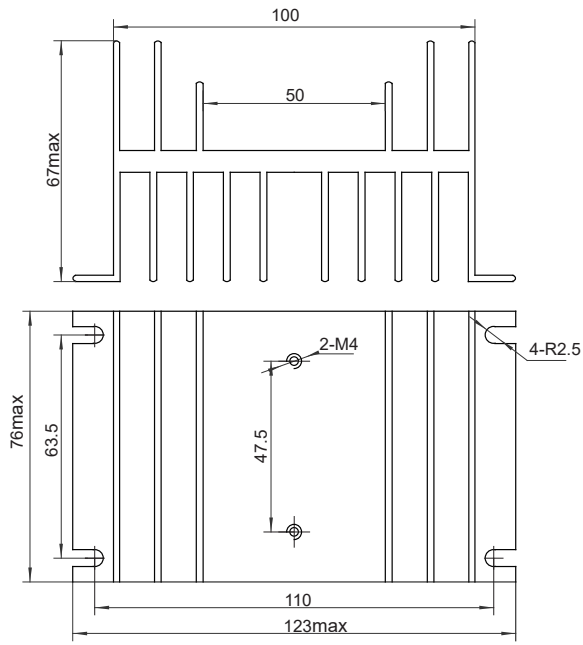
KHS-D110



KHS-D110-F000

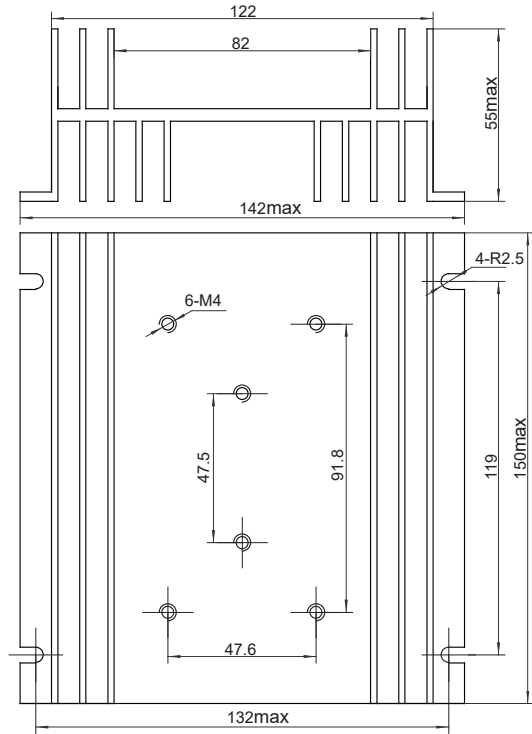
Outline Dimensions

E Series:



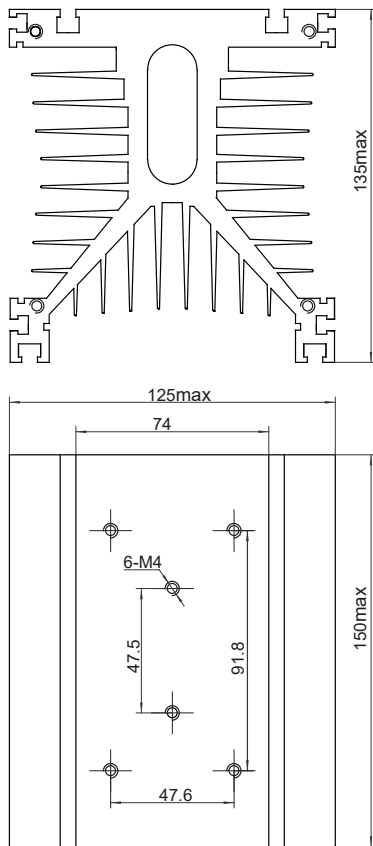
KHS-E76

F Series:

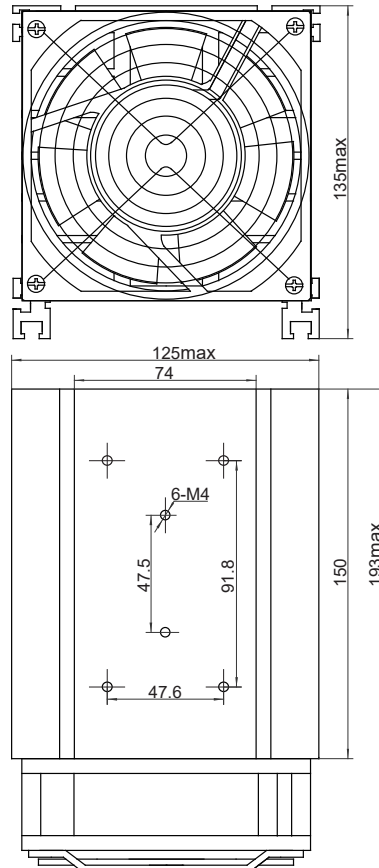


KHS-F150

G Series:



KHS-G150



KHS-G150-F