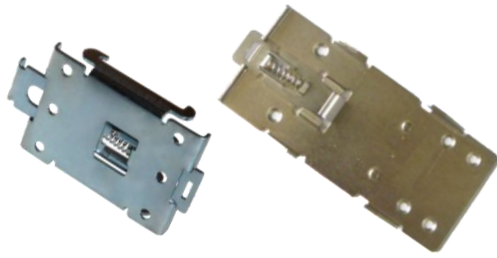


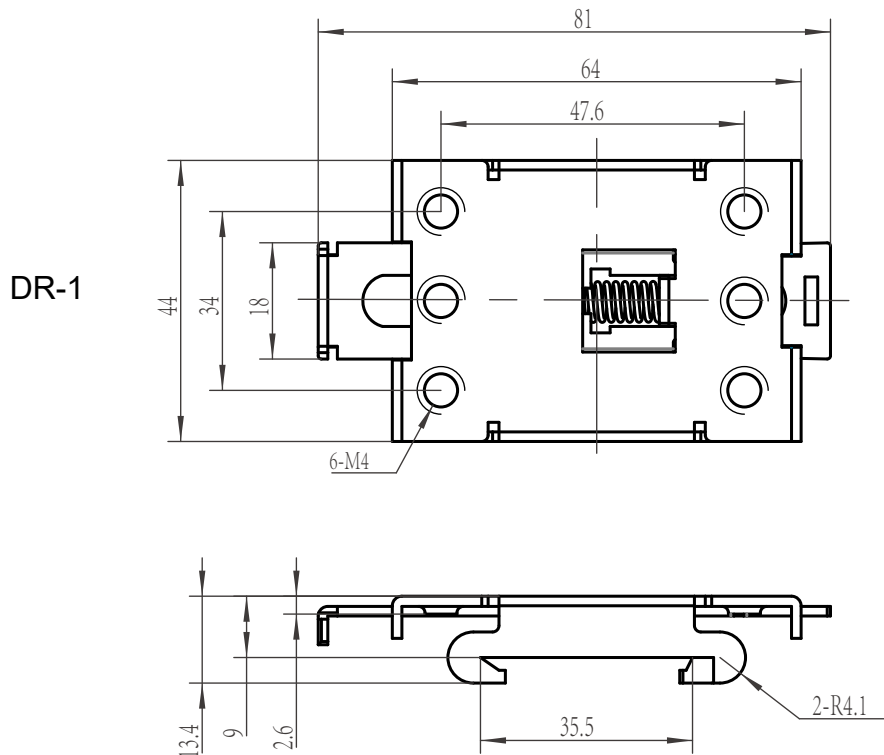
## Solid State Relay Accessory Din-Rail DR Series

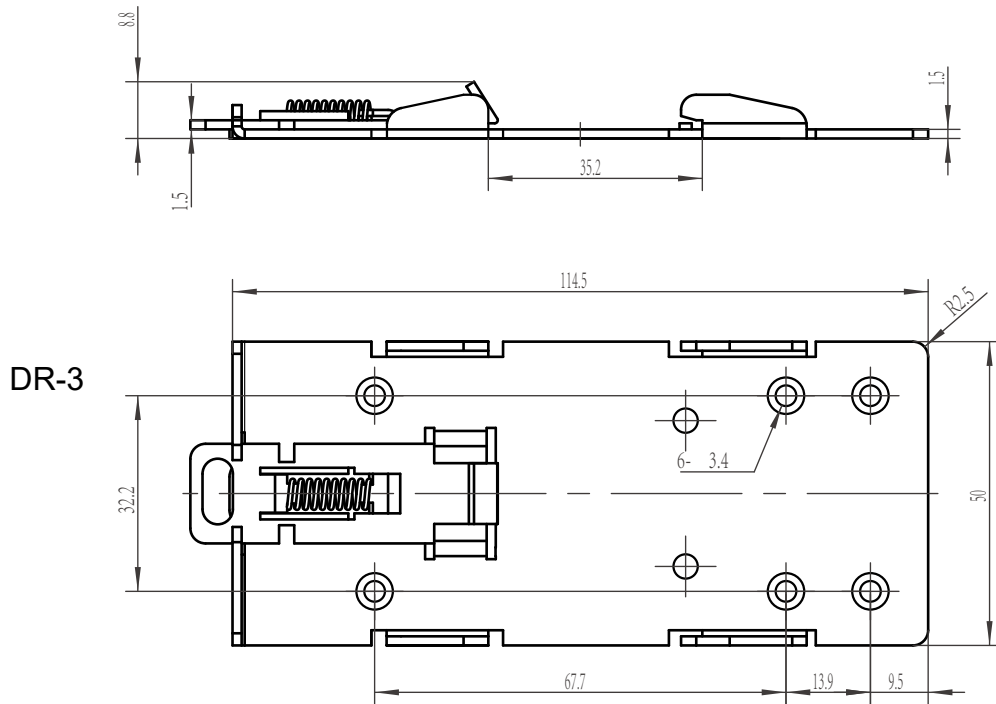


- DIN Rail Adapter fits Standard 35mm DIN Rail
- For use with KHS-B70, KHS-B90 and KHS-C110 heat sinks

| Product Selection |   |   |
|-------------------|---|---|
|                   | DR-1                                    | DR-3                                    |
| Material          | iron                                    | iron                                    |
| Coating           | Nickel plated                           | Nickel plated                           |
| Weight [Typical]  | 55g                                     | 78g                                     |
| Mounting          | Includes 6 holes for mounting M4 screws | Includes 6 holes for mounting M3 screws |
| Heat sinks        | KHS-B70                                 | KHS-B90, KHS-C110                       |

### Installation





**Product Certification**

