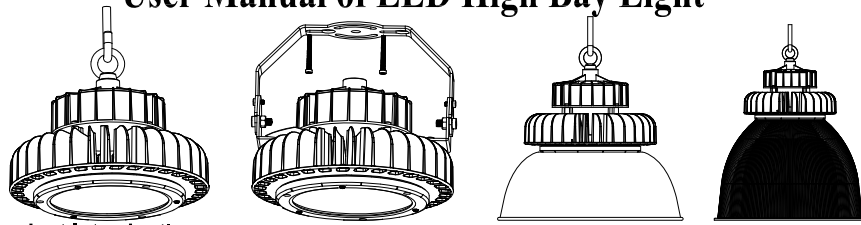


# User Manual of LED High Bay Light



## Product Introduction:

Welcome to purchase our led high bay light, which is with imported high-brightness SMD3030 led chip, with unique high purity cold-forging No.1070 aluminum heat sink, and high efficiency constant current or constant voltage driver. Ideal product for the factories, Stadiums, gas stations, train stations, and similar applications

## Product Features:

- ☆ The material of heat sink is high thermal conductivity cold-forging No.1070 aluminum, good for heat dissipation and the surface is anti-static.
- ☆ The unique design of housing help to speed up the heat dissipation, further ensuring the life of the fixture.
- The integrated design of appearance makes the fixture looks elegant.
- ☆ This fixture is waterproof, dustproof, anticorrosive

## Technical Parameters:

Product/Parameter	100W led high bay	150W led high bay	200W led high bay
LED Brand	SAMSUNG 283B	SAMSUNG 283B	SAMSUNG 283B
Input Voltage	AC100-277V	AC100-277V	AC100-277V
Power Frequency	50/60 Hz	50/60 Hz	50/60 Hz
Rated Power	100 W	150 W	200 W
Material	aluminum	aluminum	aluminum
reflector	Aluminum reflector60°/90degree or PC reflector70degree	Aluminum reflector60°/90degree or PC reflector70degree	Aluminum reflector60°/90degree or PC reflector70degree
Luminous efficiency	130lm/w	130lm/w	130lm/w
Working Temperature	-30°~ +45°	-30°~ +45°	-30°~ +40°
Storing Temperature	-40°~ +65°	-40°~ +65°	-40°~ +65°
Working Humidity	15%~ 90% RH	15%~ 90% RH	15%~ 90% RH
Beam Angle	60°/90°/120°	60°/90°/120°	60°/90°/120°
Color Temperature	4000K/5000K/5700K/6500K	4000K/5000K/5700K/6500K	4000K/5000K/5700K/6500K
Net Weight	3.4KG±0.5	3.7KG±0.5	3.7KG±0.5
Gross Weight	4.2KG±0.5	4.5KG±0.5	4.5KG±0.5
Lamp Dimension	Ø252*H200mm	Ø252*H200mm	Ø252*H200mm
Package Size	L310*W310*H195mm	L310*W310*H195mm	L310*W310*H195mm

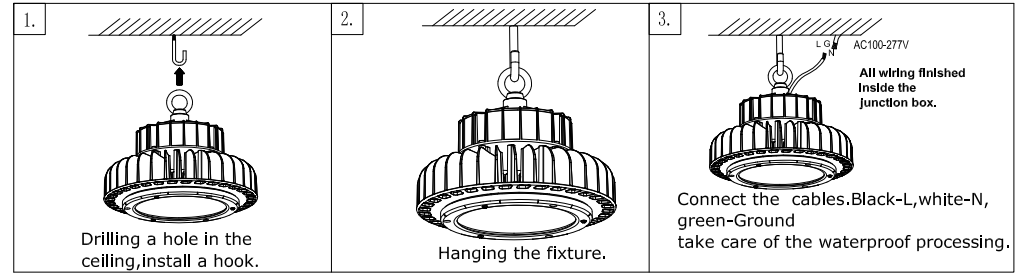
## Packing including:

1. 1pc LED high bay light.
2. 1pc product user manual.
3. 1pc installation bracket or ring.

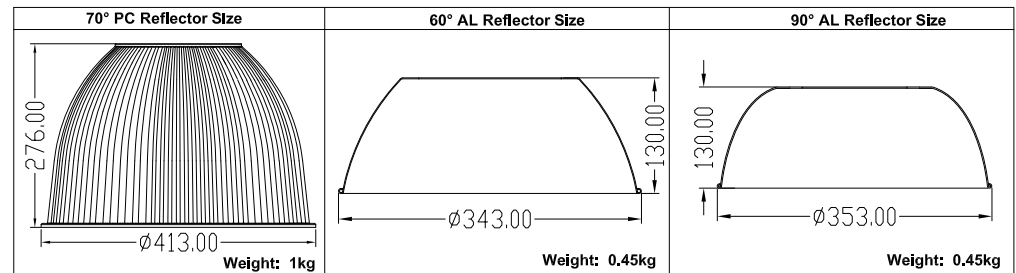
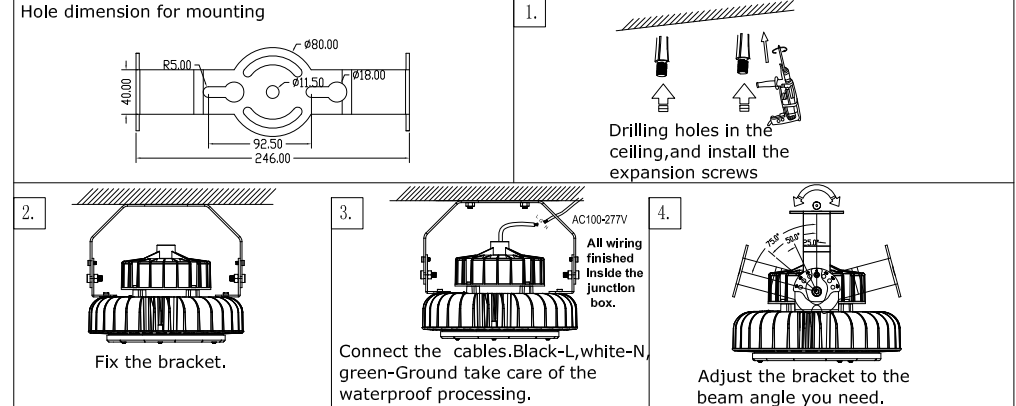
## Warning:

1. Please read the manual carefully before Installation.
2. Please authorize only qualified person or professional engineer to Install the fixture.
3. Before installation, Please check if the local voltage range is correspond with the working voltage of the fixture.
4. If the fixture is damaged, it should be replaced by the supplier, a service agent or a qualified person.
5. please keep the fixture out of fire, electric shock, vibration.
6. To avoid fire, electric, shock

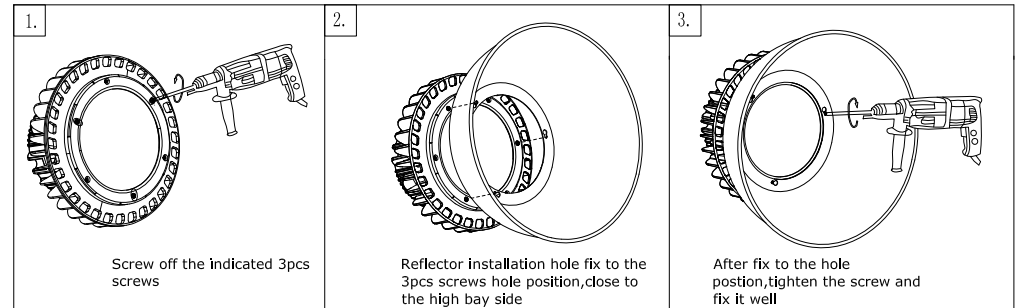
## Installation instruction: Installation 1



## Installation 2



## Reflector Installation



## Wiring Diagram

