

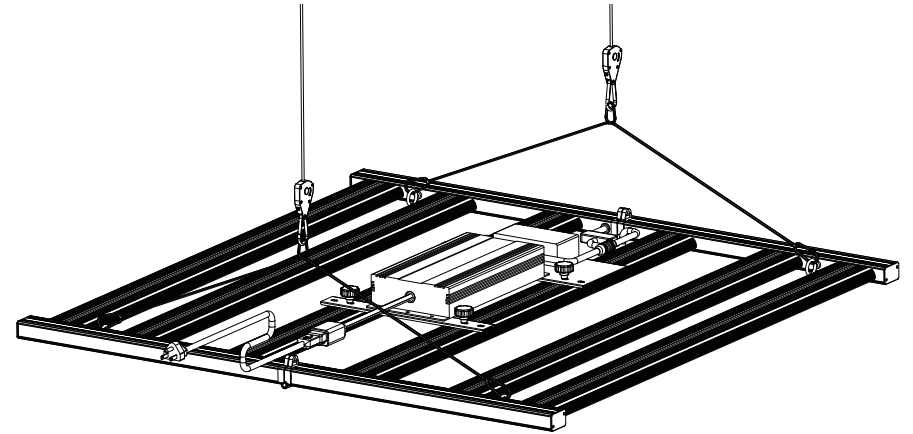


User Manual

HELP YOU GET MORE WHAT YOU PLANT
IF YOU NEED MORE INFORMATION ABOUT OUR LIGHTS



LED Grow Light Go Plant series (GP series)



FEATURES & SPECIFICATIONS

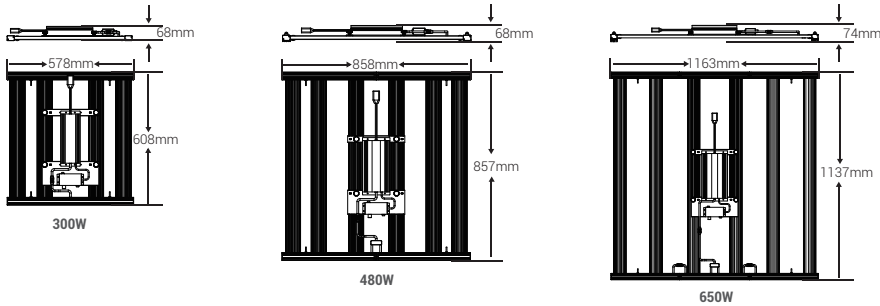
The GP series LED grow light features a full-spectrum light, similar to the sun to provide high efficient lighting from seeding to harvest. It is an ideal choice for hobbyists and commercial growers. The 180-degree folding structure design makes the growing light more flexible, and more simple to install, just plug and play. GP series growing lights detached with a switch controller. A single light can be adjusted to the light intensity freely. Multi-light Connection with unified dimming is especially beneficial for large areas of indoor growing and commercial planting.

With the FCC certification, the grow light can be safely used for indoor plants, hydroponics, greenhouses, etc.

Model	GP-3000	GP-4800	GP-6500
Power	300W	480W	650W
Input Voltage	AC110-277V		
Diodes Brand	Samsung		
Efficacy Max Yield	2.9 μ mol/J		
Max Yield	2.5g/W		
For Grow Room	3 x 3FT	4 x 4FT	5x5FT
Daisy Chain & Dimmer	Yes		
Spectrum	Enhanced Blue Spectrum and Rich Red Spectrum		

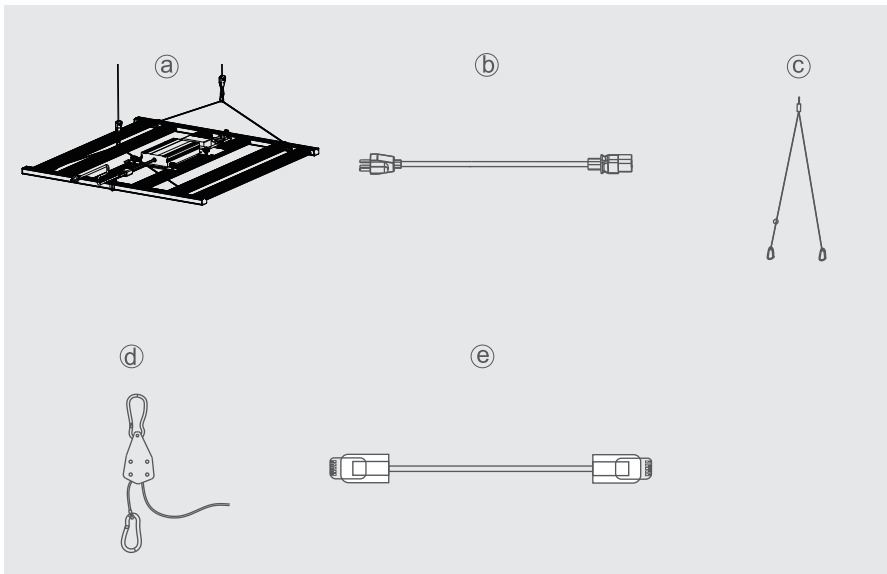
LED GROW LIGHT

PRODUCT DIMENSIONS



PACKAGE CONTENT

- Power Supply and Dimmer
- Input Power Cord
- Metal Hanging Kits x 4
- Adjustable Rope Ratchets x 2
- RJ11 Cable



LED GROW LIGHT

WARNING

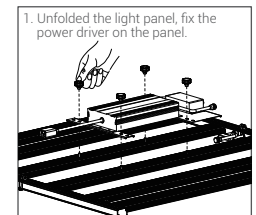
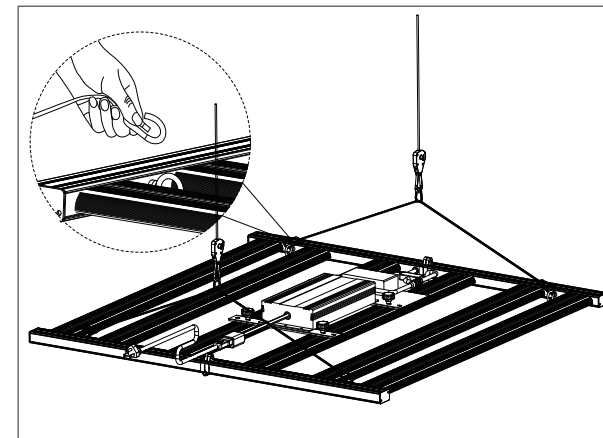
WARNING! FIXTURES MUST BE GROUNDED and installed in accordance with the National Electrical Code and all local codes. Otherwise may increase the **RISK OF PERSONAL INJURY, PROPERTY DAMAGE, FIRE, AND DEATH.**

WARNING! Dangerous voltage exists within the unit and all precautions usually observed in handling high voltage equipment should be observed when replacing the light engine or otherwise servicing luminaires. Installation, service, and maintenance of luminaires should be done by a qualified licensed electrician. Disregarding this warning could result in electrical shock and possible injury to the individual installing or servicing this equipment.

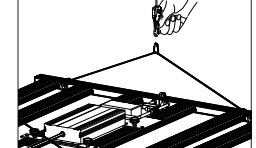
NOTE

- Ensure the lamps are properly installed and all the connection is accurate and reliable before processing power.
- Ensure using the LED Grow Light in a well - ventilated area.
- Please use the lamp without violating any fire protection regulations.
- Maintenance/ installation and replacement of the lamps, please confirm to cut off the proper supply, and the lamps have set up a cooling.
- Do not look directly into the light and touch the light when it is on.
- Do not place or submerge the LED Grow Light in water or other liquid to clean it.

ASSEMBLY INSTRUCTIONS



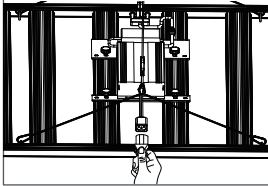
1. Unfolded the light panel, fix the power driver on the panel.



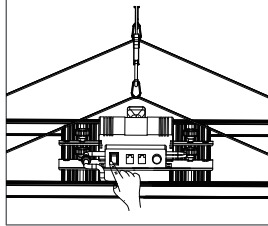
2. Connect with adjustable rope ratchets. Hang the light above the plants at an appropriate height.

LED GROW LIGHT

3. Connect the power cord to the driver. Make sure that the power cord is plugged in tightly.



4. Turn on the light switch.



OPTION 1: SINGLE LIGHT DIMMING OPERATION

Step 1. Turn on the light switch

Step 2. Adjust the light intensity from Min to Max (Do not turn to EXT)

OPTION 2: MULTI-LIGHT DIMMING OPERATION

If you choose this operation, all light output (brightness) is the same.

Step 1. Connect multiple lights with the included RJ11 cables(support up to 50 lights)

Step 2. Choose one as main-light, other as sub-lights (eg, A as main-light, B & C as sub-lights)

(1) Turn on the light switch of A, A controls the on/off of B&C.

(2) The dimming knob switch is turned to "EXT" for the sub-lights(B&C)

Note: The switch of light-B & light-C is invalid now.

Step 3. After completing step 1 and step 2, the turn dimmer knob of A controls the brightness of B&C. The larger of the scale value, the intenser of the brightness.

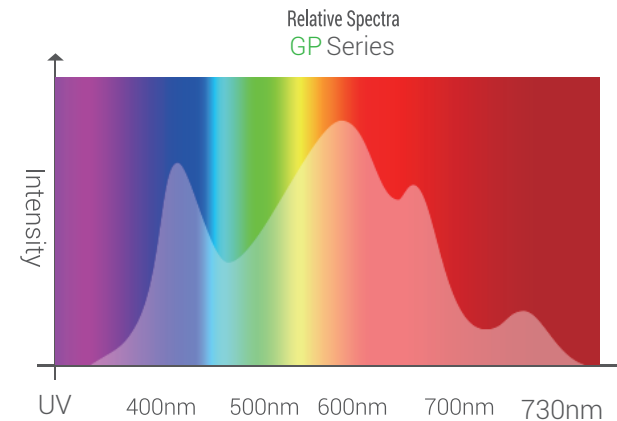
OPTION 3: EXTERNAL DIMMING SYSTEM OPERATION

When the light dimming knob is turned to "EXT" and the RJ11 cable is connected to an external dimmer, the brightness is controlled by the external dimmer, supports 0-10V and PWM dimming signal.

FULL SPECTRUM

IDEAL FOR ALL GROWTH STAGES: Excellent full-spectrum - white, blue, red, and IR (3000K, 5000K, 660nm and IR 730nm). 3000K provides more reddish light and 5000K provides more blueish. The 660nm red and IR light is especially useful during bloom, where it speeds up flowering time and boosts yields. Uniformly across the surface and deep into the roots and bottom of the canopy for consistent, highest-quality flowers.

LED GROW LIGHT



GROW TIPS

1. The rate of photosynthesis and transpiration are directly affected by temperature, humidity, and airflow.
2. The perfect temperature and humidity for your plants are found between 75-85 °F and 50%-70% humidity, with plenty of airflows to replenish CO2. PH is 6-6.5. You may add more calcium and magnesium than normally needed.

WARRANTY

Subject to the terms and conditions specified in this Limited Warranty, we warrants that lights purchased directly from us will be free from defects in material and workmanship until the earlier of 36 months from the date of purchase.

TERMS AND CONDITIONS:

1. The products can be returned within 30 days from the date of receipt, but please also ensure the integrity of the products and the return will not affect their secondary sales. The used or installed products can't be returned due to non-quality problems (dislike or no longer need). If there is any objection, please contact the seller;
2. If there are any quality problems within 3 years from the date of receipt of the product, please contact us with photos or videos of showing product problems, and we will cover all warranty costs (including replacement, maintenance, and shipping cost);
3. If the malfunction or damage of the products is caused by transportation, the buyer needs to contact us and provide evidence (video & pictures) within 15 days from the date of receiving. Providing the buyer fails to do so or no longer replies to us in 15 days after contact, the buyer will be responsible for any loss.

LED GROW LIGHT

HOW TO MAKE A WARRANTY CLAIM:

1. In order to make a warranty claim, please notify us after your discovery of the defect, provide proof of purchase such as the order number, and comply with other warranty requirements. To ascertain why the light stop working, evidence would be needed for our team to analyze. We may need your help to promptly return the product if necessary, freight prepaid.
2. The determination of whether the product is defective shall be made by us in its sole discretion with consideration given to the overall performance of the product.
3. If we determines the product is defective, we will elect, in its sole discretion, to repair the product or replace the product.

▲ NOTE :

All returns must happen within 30 days of the receipt of that product or we have the right to refuse the return.

1. Guidelines for items conditional return;
2. Item must be in original packaging.

THE FOLLOWING CONDITIONS WILL NOT BE WARRANTED:

1. Damage caused by user's improper delivery, defects caused by the wrong operation, and wrong treatment.
2. Dismantling or improper maintenance or repairing of the products without our authorization.
3. Damage caused by buyer or installer using bad quality cable or other mismatching electronic parts.
4. Damage caused by force majeure such as war, riots, sabotage, cyclones, earthquakes, flooding, lightning strikes, explosions, fire, etc.
5. This warranty is invalid if the product is not used for the purpose for which is originally designed.

The seller has the sole right to interpret and amend the above articles.