

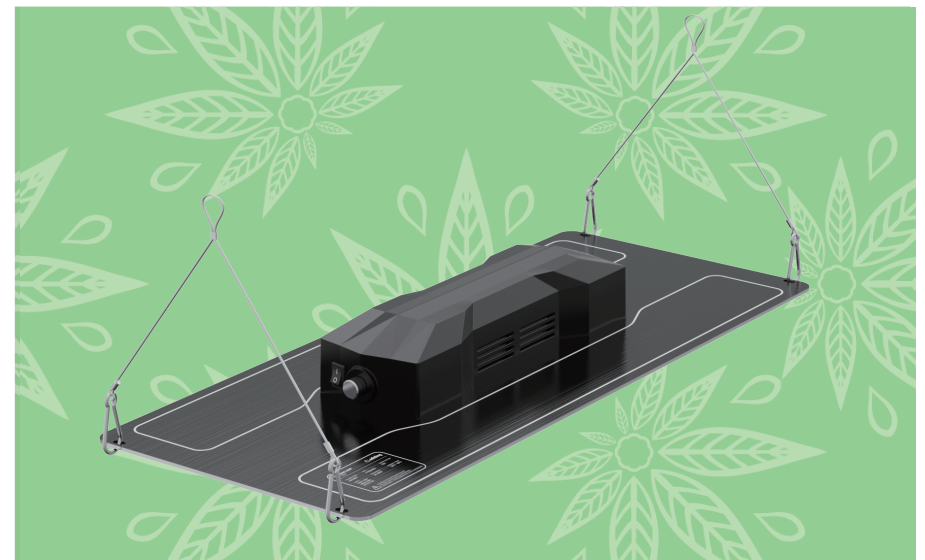


Adiding LED Grow Lights
Help You Get More What You Plant

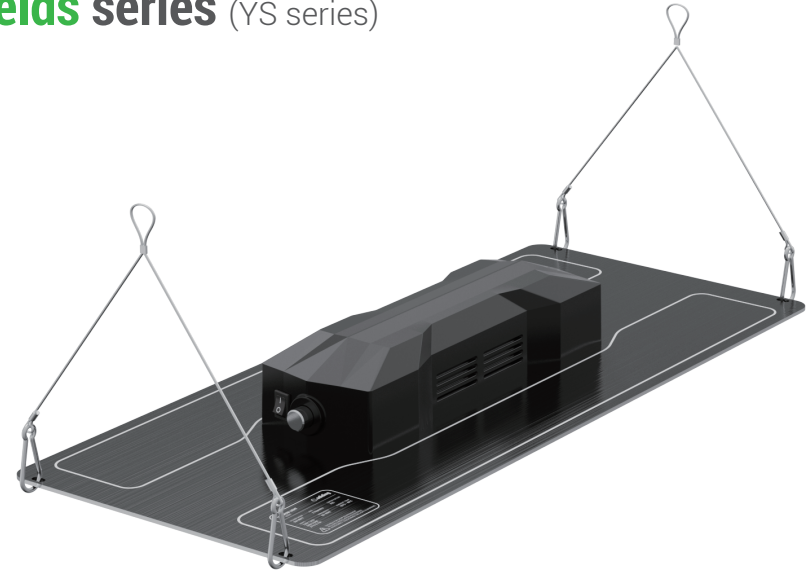


User Manual

HELP YOU GET MORE WHAT YOU PLANT
IF YOU NEED MORE INFORMATION ABOUT OUR LIGHTS



Adding LED Grow Light Yields series (YS series)



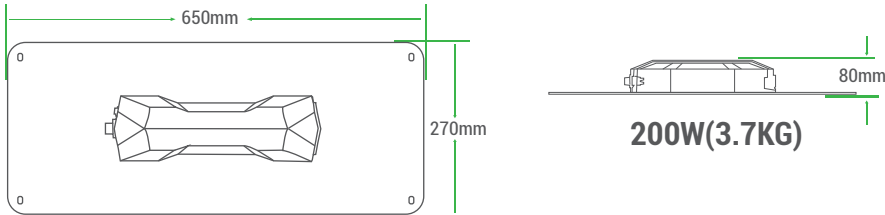
FEATURES & SPECIFICATIONS

Adding YS series LED grow light features a full-spectrum similar to the sun which is true high efficient lighting from seeding to harvest and is an ideal choice for hobbyist and commercial growers. YS series growing lights have a dimming knob and light switch. A single lights can be adjusted to the light intensity at liberty. Multi-light connection with unified dimming is especially beneficial for large areas of indoor growing and commercial planting.

Model	YS 2000
Power	200W±5%@AC120V
Amps	1.67A@AC120V
Frequency	50-60HZ
PPE	2.70μmol/J
Veg Footprint	3×4FT
Flower Footprint	2×4FT
Input Voltage	100~277V
Diodes Brand	SAMSUNG
Warranty	36months
Spectrum	660nm,3000K,5000K,IR 730nm(Full Spectrum)

LED GROW LIGHT

Product Picture and Size



WARNING

Read these instructions completely and carefully before installation

WARNING! FIXTURES MUST BE GROUNDED and installed in accordance with the National Electrical Code and all local codes. Failure to do so may increase the **RISK OF PERSONAL INJURY, PROPERTY DAMAGE, FIRE AND DEATH.**

WARNING! Dangerous voltage exists within the unit and all precautions usually observed in handling high voltage equipment should be observed when replacing light engine or otherwise servicing luminaires. Disregarding this warning could result in electrical shock and possible injury to the individual installing or servicing this equipment. Installation, service and maintenance of luminaires should be done by a qualified licensed electrician.

CAUTION! To reduce the risk of death, personal injury or property damage from fire, electric shock, falling parts, cuts/abrasions, and other hazards please read all warnings and instructions included with and on the fixture box and all fixture labels.

NOTE

- This equipment is only for professional installation. Non-professional personnel shall not remove or install the equipment.
- To avoid damage, falling, electric shock or fire, please do not modify the lamp or replace accessories without confirming with the supplier.
- Maintenance/ installation and replacement of the lamps, please confirm to cut off the proper supply, and the lamps have set up a cooling. Please make sure the lamps are properly installed before processing power.
- Ensure the accurate and reliable connection.
- Ensure that the product is around the vent. The lamp cannot violate any fire prevention regulations when using.

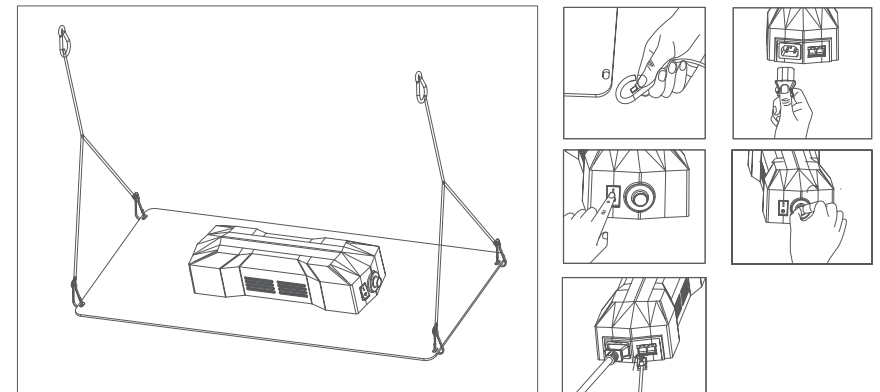
LED GROW LIGHT

Carefully read these instructions before the light product and keep them for reference in future.



INSTALLATION

-Attach 4 small carabiners to 4 holes on the back side of the light and connect with an adjustable lifting rope, then plug the power cord into the socket

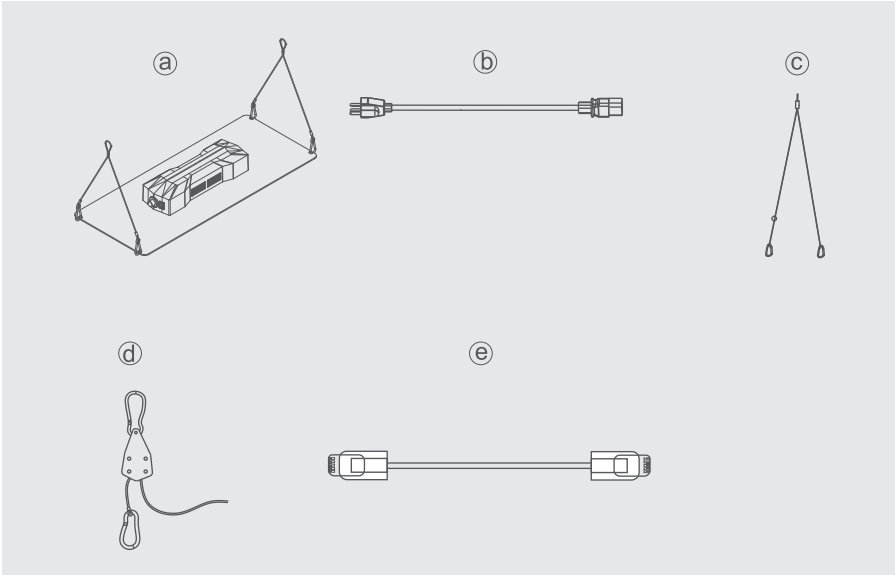


(200W)

PACKAGE LIST OF GROW LIGHT

- a. LED grow light fixture
- b. Input power cord
- c. Metal hanging kit x4
- d. Adjustable rope ratchet x2
- e. RJ11 cable

LED GROW LIGHT



OPTION 1: SINGLE LIGHT DIMMING OPERATION

Step 1. Turn on the light switch

Step 2. Adjust light intensity

NOTE: When the dimming Knob is turned to "EXT" for external control, the light switch is invalid and the brightness of the whole lamp is 100%. At this time, the brightness is controlled by an external dimmer.

OPTION 2: MULTI-LIGHT CONNECTION DIMMING OPERATION

If you choose this operation, all lights output(brightness) the same.

Only used for multi-light connection. if single light dimming operation, please unplug the cable.

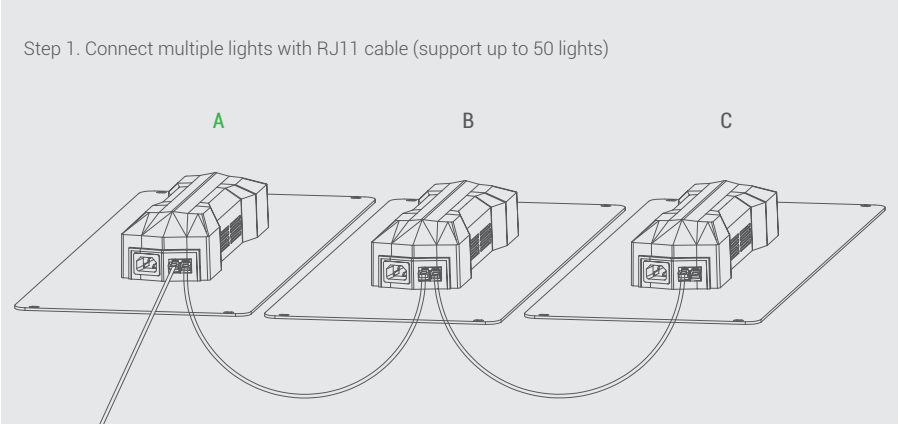
RJ11 Cable



P4

LED GROW LIGHT

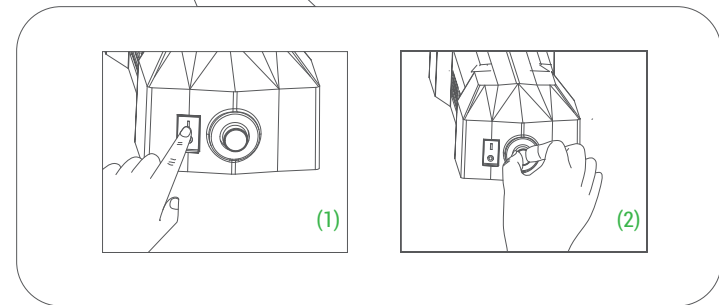
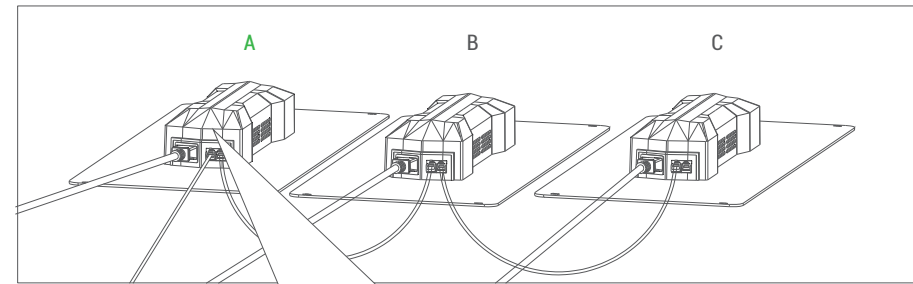
INSTRUCTIONS



Step 2. Choose one as main-light, other as sub-light (eg: A as main-light, B&C as sub-lights)

(1) Turn on the light switch of A, A controls the on/off of B&C

(2) The dimming knob switch is turned to "EXT" for the sub-lights(B&C) .



P5

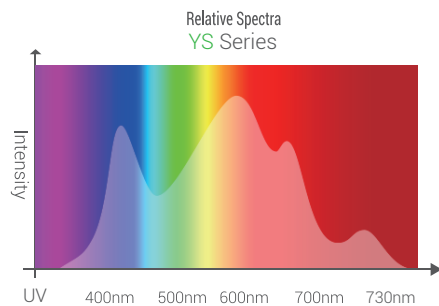
LED GROW LIGHT

Step 3. After completing step 1 and step 2, turn dimming knob of A controls the brightness of B&C. The larger the scale value, the intenser the brightness

NOTE:

If you do not want to use a multi-light connection, but dimming each of your lights, please refer to option 1, it shows how to adjust the brightness of a single light.

SPECTRUM



Adding GROW LIGHT YS series---IDEAL FOR ALL GROWTH STAGES: Excellent full spectrum- white, blue, red and IR (3000K, 5000K, 660nm and IR 730nm). 3000K providing more reddish light and the 5000K providing more blueish. The 660nm red and IR light is especially useful during bloom, where it speeds up flowering time and boost yields. Uniformly across the surface and deep into the roots and bottom of canopy for consistent, highest quality flowers.

PLANTING GUIDANCE

SUGGEST HANGING DISTANCE & SUGGEST LIGHTING TIME

Germination: hang at 24-30 inch, 18hr ON/6hr OFF

Seedling: hang at 24 inch, 18hr ON/6hr OFF

Vegetative: hang at 18-24 inch, 18hr ON/6hr OFF

Bloom: hang at 12-18 inch, 12hr ON/12hr OFF

GROW TIPS

1. The rate of photosynthesis and transpiration are directly affected by temperature, humidity and air flow.
2. The perfect temperature and humidity for your plants are found between 75-85 °F and 50%-70% humidity, with plenty of airflow to replenish CO2. PH is 6-6.5, You may add more calcium and magnesium than normally needed.

LED GROW LIGHT

WARRANTY

Subject to the terms and conditions specified in this Limited Warranty from us will be free from defects in material and workmanship until the earlier of 36 months from the date of purchase.

TERMS AND CONDITIONS:

1. The products can be returned within 30 days from the date of receipt, but please also ensure the integrity of the products and the return will not affect their secondary sales. The used or installed products can't be returned due to non-quality problems (dislike or no longer need). If there is any objection, please contact the seller;
2. If there are any quality problems in 30 days to 1 year from the date of receipt of the product, please contact us with photos or videos of showing product problems, and we will cover all warranty costs (including replacement, maintenance and shipping cost);
3. If there are any quality problems over one year from the date of receipt, please contact us for warranty with photos or videos of showing product problems and we will provide maintenance services. The seller shall bear the relevant expenses, and the specific expenses shall be subject to the seller's instructions.
4. If the malfunction or damage of the products is caused by transportation, the buyer needs to contact us and provide evidence (video & pictures) within 15 days from the date of receiving. Providing the buyer fails to do so or no longer replies us in 15 days after contact, the buyer will be responsible for any loss.

HOW TO MAKE A WARRANTY CLAIM:

1. In order to make a warranty claim, you must notify us in writing after your discovery of the defect, provide proof of purchase such as the order number and comply with other warranty requirements. Upon receiving that notice, to ascertain why fixtures stop working, evidences would be needed for our team to analyze. We may require you to promptly return the product when necessary, freight prepaid.
2. The determination of whether the product is defective shall be made by us in its sole discretion with consideration given to the overall performance of the product
3. If we determine the product is defective, we will elect, in its sole discretion, to repair the product or replace the product. The seller has the sole right to interpret and amend the above articles.

LED GROW LIGHT

NOTE:

All returns must happen within 30 days of the receipt of that product and we have the right to refuse the return.

1. Guidelines for items conditional return;
2. Item must be in original packaging.

THE FOLLOWING CONDITIONS WILL NOT BE WARRANTED:

1. Damage caused by user's improper delivery, defects caused by wrong operation and wrong treatment.
2. Dismantling or improper maintenance or repairing of the products without our authorization.
3. Damage caused by buyer or installer used bad quality cable or other mismatching electronic parts.
4. Damage caused by force majeure such as war, riots, sabotage, cyclones, earthquakes, flooding, lightning strikes, explosions, fire, etc.
5. This warranty is invalid if the product is not used for the purpose for which is originally designed.

We has the sole right to interpret and amend the above articles.