

## TIPS

1. Before installing and using the light for the first time, please make an initial charge for it. Connect the solar panel and the light, keep it on OFF state, and charge it with direct sunlight for 1-2 days.
2. The solar panel must be installed outdoors. Direct sunlight is needed for the solar panel to charge the internal battery most efficiently and make it operate properly. In order to convert solar energy into electricity most efficiently, please ensure that the solar panel is completely exposed to the sun without any occlusion objects, like trees, eaves and others.
3. The motion sensor is very sensitive to light. In order to get the best performance at night, please check that there have no other lights to interfere the motion sensor.
4. The motion sensor is the most sensitive when people or objects move parallel to the sensor head. If people or objects move directly on the sensor head, the motion sensor is the least sensitive.
5. The detection range of LED solar sensor light is 6-8 M, and the illumination distance is 8-10 M. The working environment temperature is -4~140 degrees Fahrenheit. Please do not install the light near heat sources such as air conditioners, vents or stove exhaust pipes, or in the direction of reflective objects and nearby light sources.
6. We recommend cleaning the solar sensor light regularly with a damp cloth to ensure optimal performance and battery charging.

4

## PACKAGING

1. Solar Panel with 5 Meters Cable × 1
2. LED Solar Sensor Light × 1
3. Screw Accessory Pack × 1
4. Remote Controller × 1
5. Bases × 2
6. User Manual × 1

(Before beginning installation of the product, make sure all parts are present. If any part is missing or damaged, do not attempt to assemble the product.)

## SPECIFICATION

Working Voltage of Solar Panel:	5.5 V
Output Power of Solar Panel:	1.5 W
Battery Voltage:	3.7 V
Waterproof Level:	IP65

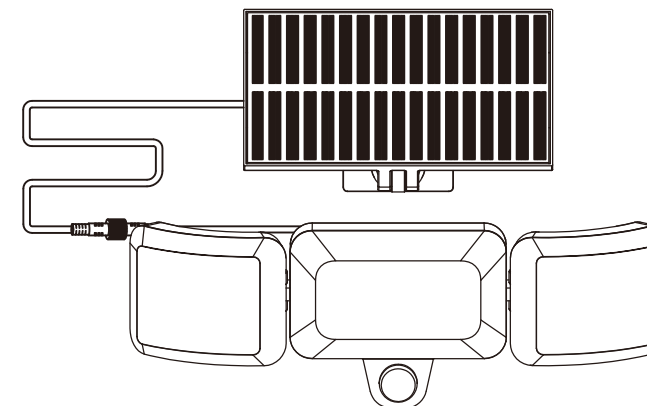
## WARRANTY

This product is covered under a 1-year limited warranty. If you have any questions, please feel free to contact us.

5

# adiding LED SOLAR SENSOR LIGHT USER MANUAL

Model: TBD-23

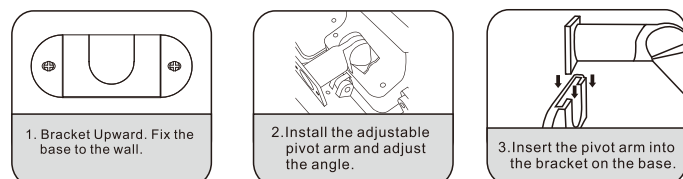


## INSTALLATION

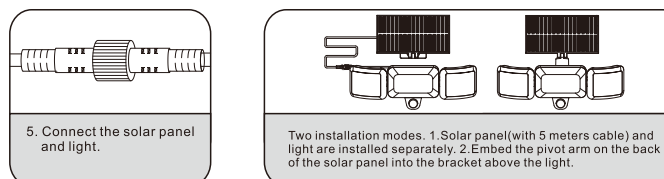
Choose a place where the solar panels can get enough sunlight to install it. The longer the solar panels are exposed to sunlight, the longer the product's light can last.

1. Depending on the width of the two holes on the base, drill two holes on the wall. Knocking the expansion plastic screw tube into the wall holes, and then twist the screw through the base into the wall holes. **The bracket of the base should be upward.**
2. Install the pivot arm to the back of the solar panel and light, adjust the angle and **tighten the knob screw.**
3. Install solar panels and light. Insert the pivot arm into the bracket on the base. **When installing the light, please keep the sensor and water outlet of the light down.**
4. Connect solar panels and light. Connect the wire of the solar panel with the wire of the light, and then tighten the waterproof nut cap.

**The default mode of the product is OFF mode. Before intalling the light, please press the light's button to turn on the power for test and adjust the light modes.**



1



## 4 LIGHTING MODES

- **MODE 1:** Low light lighting, always on.
- **MODE 2:** Low light lighting, always on. But when the sensor detects people coming, it turns on strong light illumination. Then after 20 seconds of people leaving, it will return to low-light lighting.
- **MODE 3:** When it detects people coming, it automatically turns on the bright light. When people leave for 20 seconds, the lights automatically turn off.
- **MODE 4:** The lights flash continuously.

LED solar sensor lights will automatically detect the external ambient brightness. When the brightness is dark enough, the light mode you selected will be automatically turned on. When the brightness is bright enough, it will automatically turn off the light mode.

2

## MODES CONTROL

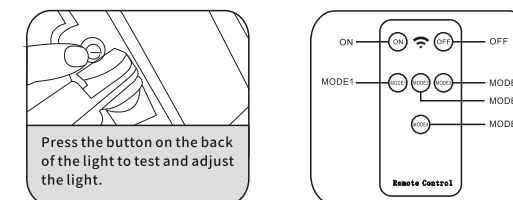
(Note: The default mode of the product is OFF mode.)

### Botton Control

Press the button on the back of the LED Solar Light to test the light and adjust the mode you want. **Press once to enter Mode 1, press twice to enter Mode 2, press three times to enter Mode 3, and press four times to enter Mode 4. Based on Mode 4, press the power button again, the power of LED solar sensor wall light will turn off.**

### Remote Control

Use the remote controller to select the mode you want. **Before using the remote control, please manually press the button on the back of the light once to turn on the power. Then select the mode you want on the remote control.**



3