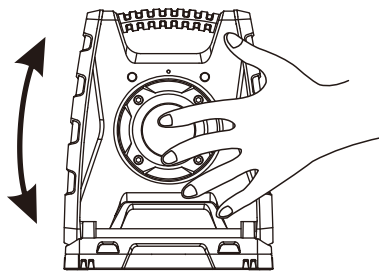


- The indicator light flashes green when charging. Fully charged, the indicator light is all green and stops flashing.
- 1 indicator light means 25% power. When only 1 indicator light is on and blinking, the power is weak and needs to be recharged. When the battery is completely out of power, the work light will directly turn off.

SWITCH

- **Light Switch** - Control The Light Modes
Switch Sequence: Low - Mid - High - OFF
- **Sensor Switch** - Control Sensor ON/OFF and Light Modes. The sensor and the light are turned on at the same time.
Switch Sequence: Low(The sensor indicator light up green.) - Mid - High - OFF
- **Sensing**: Wave your hand up and down to control the light ON/OFF.



5

Note:

- 1.The sensor is designed for you to easily turn on and off the light without touching the light body or switch. The sensing distance is 10cm/3.9", please approach the sensor probes and wave your hand up and down to control the light on and off.
- 2.Turn off the work light by wave, the sensing function will turn off after 20s. Turning it on again needs to be controlled by the buttons.
- 3.A long press on the ON/OFF switch turns the work light directly off.

ADVICE

- Do not directly look at the LED lights.
- Built-in battery, please do not disassemble.
- Children under 12 years of age should only use the product under adult supervision.
- Please do not disassemble the COB light cover and product housing. Do not attempt to modify this product, this will void the warranty and could be dangerous.
- Do not operate in direct sunlight or extreme temperature conditions. The work light operating temperature is 0-113 °F.

6

- Do not use the product if there is any visible damage to the case, charging port or cable.
- To keep rechargeable batteries in optimal condition, it should be charged every 1-2 months. Especially when not in use for a long period of time, be sure to fully charge the work light before storing it.
- Please make sure to protect the battery from heat, strong sunlight, fire, water and moisture to avoid danger!
- Be careful not to let the COB round light cover come into contact with hard/sharp objects, damage /scratches to the light cover will affect the light output.
- This product is waterproof to IP54 - splash water only, please do not expose it to direct water and submerge it. Warranty may be voided if the product is exposed to excessive moisture/water.

WARRANTY

The warranty for this product is 1 year. The warranty does not cover normal wear and tear, modifications, accidental damage or improper maintenance. If you have any questions, please feel free to contact us. Adiding Service Team will provide you with the best help and solutions.

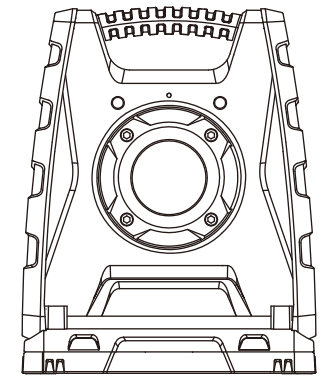
Thanks for your support!

7



RECHARGEABLE LED WORK LIGHT

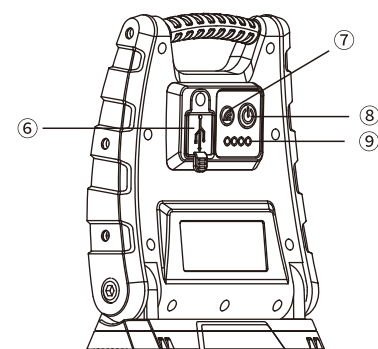
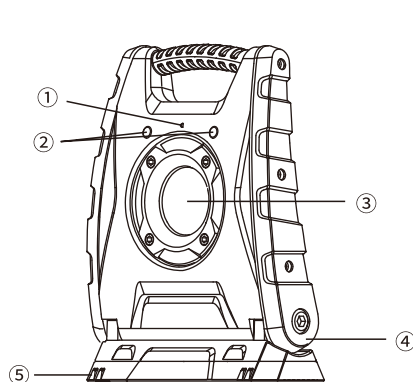
USER MANUAL



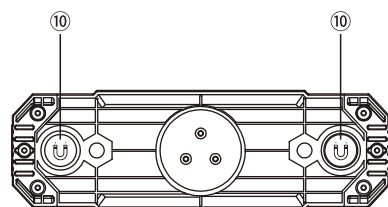
Model: ZZ-701A

Thank you for purchasing the Adiding Rechargeable LED Work Light. Please read these instructions carefully before using and retain them for future reference.

120mm



1



- ① Sensor Indicator
- ② Sensor
- ③ LED Chips
- ④ 120° Tilt
- ⑤ 360° Rotating
- ⑥ USB-C & USB-A In/Out
- ⑦ Sensor Switch
- ⑧ ON/OFF
- ⑨ Power Indicators
- ⑩ Dual Magnets

PRODUCT INFORMATION

Material:	ABS + PC + TPE
Illuminated Source:	COB
Lighting Form:	Flood
C.T. :	6000K - 7000K
Battery Capacity:	4400mAh
Work Light Power:	10W
Battery Voltage:	3.7V
Charging Time:	2.5-3H
Charging Port:	Type-C Input
Used As Power Bank:	USB-A Output Port

2

LIGHTING MODES

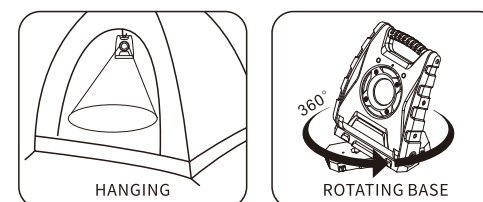
LOW: 25% Brightness, MID: 50% Brightness, HIGH: 100% Brightness
Fully Charged. Operating Time for Each Mode:



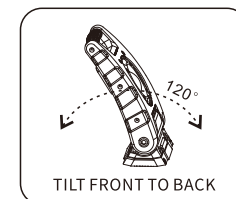
Note:

- 1.When the light is turned on for a long time, the COB lighting position will be slightly warm. It is a normal condition, please don't worry.
- 2.The working hours of the light are for reference only and should be based on the specific use and functions.

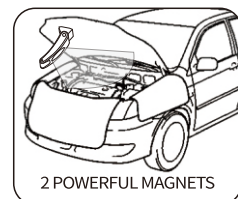
CONVENIENT FEATURES



3



TILT FRONT TO BACK



2 POWERFUL MAGNETS

Note:

- The magnet will not attach to aluminum or surfaces with very low iron content, such as aluminum hood. Please adsorb on a surface with high iron content to keep the work light stable.
- When using the magnet function to allow the work light to adsorb on an object, if you need to adjust the angle, please hold it before adjusting to avoid excessive force resulting in falling.

OPERATION

CHARGING

- Fully charge before first use. Make sure the light is switched off before charging.
- Plug the charging cable (Type-C charging cable included in the package) into the USB C charging port on the back of the light.
- When completely out of power, the light turns off directly, and the indicator lights are all off status.

4