

FL-C2 FLOODLIGHT

- High Quality
- With Driver
- Ultra Economy



- General purpose floodlight
- Integrated visor for reduced glare
- IP65 rating protects against dust and water
- Robust 1/2 NPSM knuckle mount or "U" YOKE bracket mount
- Suitable for ground mounting
- High Lumens 130lm/w
- Photocell optional
- L70>100,000-Hours lifespan
- 5 Years Warranty



Repair or replace product Freely in warranty



Visit designlights.org to see which models are DLC listed



ETL for USA
cETL for CANADA



High efficiency fresnel lens up to 130m/w, Glare-Free to protect people eyes!



The 1/2 NPSM knuckle mount is designed with rugged, locking Teeth to keep installations securely in place. No drooping!



The "U" YOKE bracket mount can For more different installations in different place.



Have an integrated visor that reduces observable glare.



Suitable for ground mounting
Specialized Drainage Notch For Drain away water.
Don't worry the water will go into the lamp body!



Photocell

Non-Photocell

Photocell option add \$1 only
And support to remove it easily

Photocell:

Connect the terminal

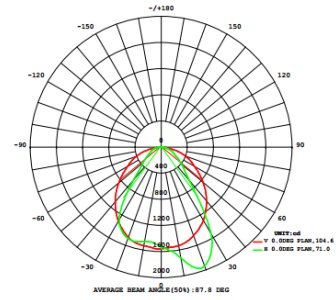
Non-photocell:

Remove the terminal

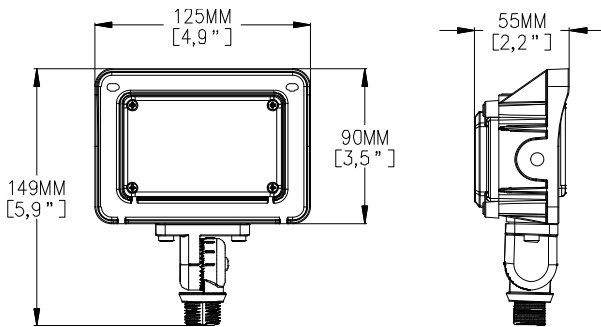
Parameter

[FL-30C2] 26W-3600lm (Replace up to 150W MH)

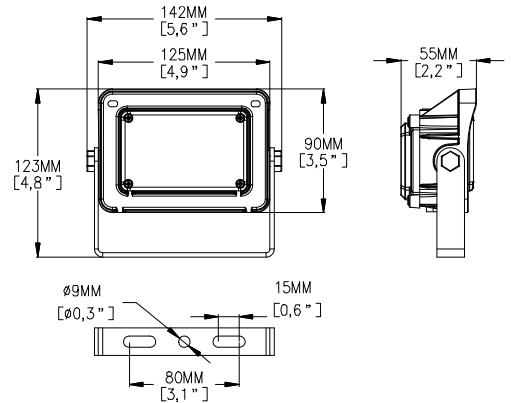
Color Temperature: 3000K/4000K/5000K/5700K
Input Watts: 26W
Input Voltage: 100-277Vac
Efficacy(lm/w): 130lm/w
Lumens Output: 3600lm
Color Accuracy(CRI): 70+
Intelligent Function: Photocell optional



½ NTSM Knuckle Mount 0.5kg(1.1lbs)

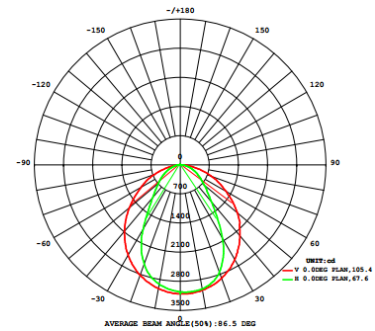


"U" YOKE Bracket 0.5kg(1.1lbs)

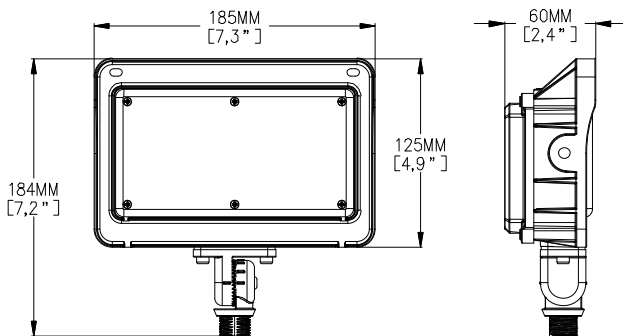


[FL-50C2] 50W-6300lm (Replace up to 250W MH)

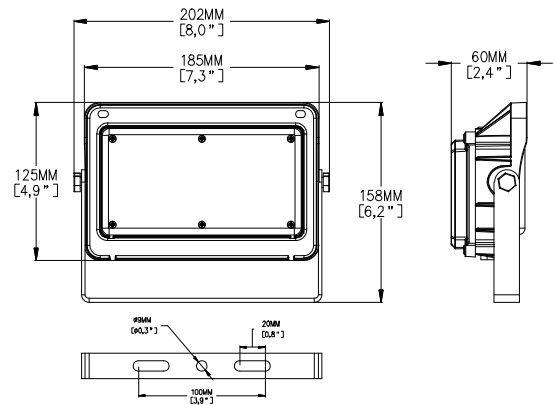
Color Temperature: 3000K/4000K/5000K/5700K
Input Watts: 50W
Input Voltage: 100-277Vac
Efficacy(lm/w): 130lm/w
Lumens Output: 6300lm
Color Accuracy(CRI): 70+
Intelligent Function: Photocell optional



½ NTSM Knuckle Mount 1.0kg(2.2lbs)



"U" YOKE Bracket: 1.1kg(2.5lbs)



Driver

Constant Current, 100-277Vac, 50-60Hz
Power Factor>0.9, HTD<20%

LED chips

Lumileds Brand SMD3030, Long-life, high-efficacy

IP Rating

Ingress Protection rating of IP65 for dust and water

Housing

Die-casting aluminum with good heat dissipation

Finish

Brown Color in standard, White or Black color optional.
Formulated for high durability and long-lasting color

Diffuser

Plastic , UV-Resistant , No yellowish worry.

Installation

½ NPSM knuckle mount with 180° adjustable swivel arm or Surface mounted "U" YOKE Bracket.

Cold Weather Starting:

Minimum starting temperature is -40° C (-40° F)

Maximum Ambient Temperature:

Suitable for use in 40° C (104° F) ambient temperatures

Lifespan

All have minimum 50,000 hrs. LED lifespan
@ L70>100,000hours, @L90>50,000hours based on LM80 test data and TM21 reported results

Certification:

ETL, cETL, DLC

Order Information

Sample: FL-50C2-50-D

	-XX	-X
Product Family	CCT	Bracket
FL-30C2 = 26W FL-50C2 = 50W	30 = 3000K 40 = 5000K 50 = 5000K 57 = 5700K	D = 1/2 NPSM knuckle arm mount E = "U" YOKE bracket mount
In Standard	Options (add as Suffix)	
Brown Finish 100-277Vac 130lm/w CRI>70	P = Photocell WH = White color finish (MOQ>500pcs) BL = Black color finish (MOQ>500pcs) Other customized	

Package Information

ITEM	QTY/CTN	G. W.	CTN SIZE	Means(CBM)
FL-30C2	20pcs	12.0kg(25lb)	38x30x32.5cm (96.5"x76.2x83.8")	0.038
FL-50C2	12pcs	14.5kg(32lb)	42x25x38.5cm (106.7"x63.5"x97.8")	0.040

Container Loading QTY

ITEM	20GP	40GP	40HQ
FL-30C2	13000	28000	34000
FL-50C2	8000	17000	19000