

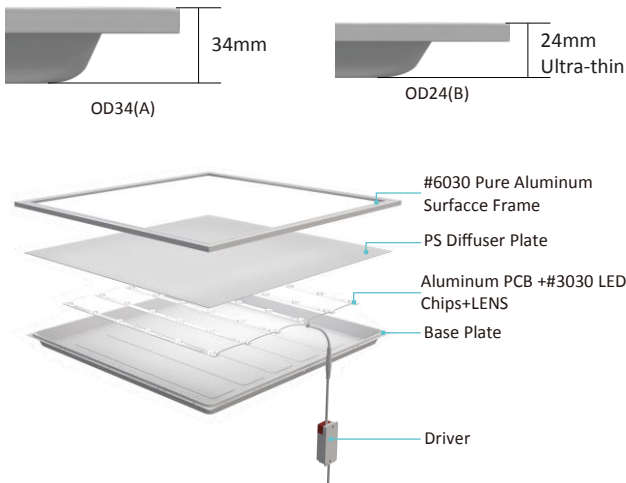


Application

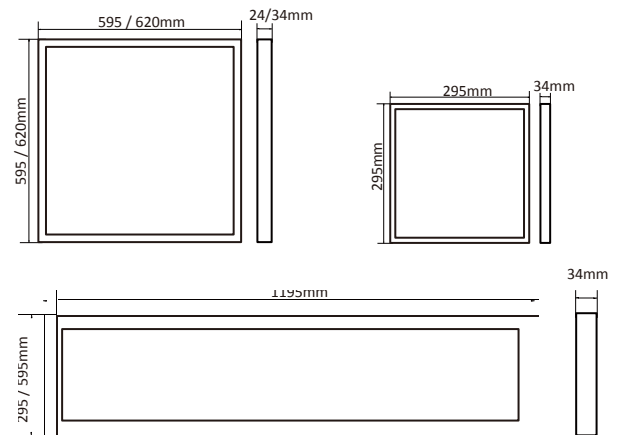
- Hotel
- Commercial Purpose
- Meeting Room
- School
- Other lighting location
- Factory & Office
- Hospital
- Residential & Institution

- ◆ Cost Effective
- ◆ No LGP, No yellowish worries or other major
- ◆ Long Lifespan:5-7 Years Warranty
- ◆ High Strength Aluminum Alloy Frame,more Stronger
- ◆ High Luminous Efficiency-up To 140lm/w And URG<19

Instruction



Dimensions



Application



Photoelectric

Model Number	Power	Dimension	Input	Luminous Efficiency	Lumens Output	CRI	LED	Beam Angle
BPL3030A-18W	18W	295*295*34mm	200-240V	110 LM/W	2160LM	80	2835	120°
BPL6060A-36W/27W	36W	595*595*34mm	200-240V	110/140 LM/W	4000LM	80	2835	120°
BPL6262A-36W/27W	36W	620*620*34mm	200-240V	110/140 LM/W	4000LM	80	2835	120°
BPL30120A-36W/27W	36W	295*1195*34mm	200-240V	110/140 LM/W	4000LM	80	2835	120°
BPL60120A-54W	54W	595*1195*34mm	200-240V	110 LM/W	6480LM	80	2835	120°
BPL6060B-36W/27W	36W	595*595*24mm	200-240V	110/140 LM/W	4320LM	80	2835	120°
BPL6262B-36W/27W	36W	620*620*24mm	200-240V	110/140 LM/W	3600LM	80	2835	120°

*Specifications using 5700K and subject to change. All parameters +/- 10%.
 *The total lumen for UGR products will be lower 8% than normal products.
 *Available 3W on a per project basis.

Back-Lit Panel

Electrical Driver

Input	AC200-240V
Frequency	50Hz
Output Voltage	DC30-42V
Relevant	EN55015 EN550221 IEC61347-1
Power Factor	>0.9
THD	<20%
Power Efficiency	>88%
Power Brand	Philips/Tridonic/Lifud Flicker Free
Protection	Surge Short Circuit Over Voltage Over Current Over Temp.
MTBF	Minimum MTBF 50,000 hours at 100% load & 40°C

Environment

Operating Temperature	-20°C ~ 45 °C
Storage Temperature	-20°C ~ 60 °C
Operating Humidity	90% Rh or below (@-20°C~45°C)
Application Area	Indoors
Lifespan	50,000 Hrs



Light source

LED Type	3030(SanAn Chips)
Color Accuracy(CRI)	80+
Color Temperature	3000K/4000K/5000K/5700K/6500K

Product Description

SanAn Chips and Lens

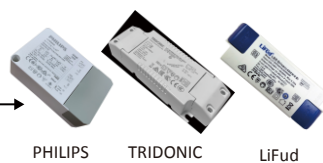
sanan chips use pure gold wire and pure copper bracket, with more stable heat dissipation. The uniform light distribution makes the LED with larger heat dissipation area, and lifespan is up to 7 years.

The lens is made form acrylic material, which makes the light more uniform and soft.



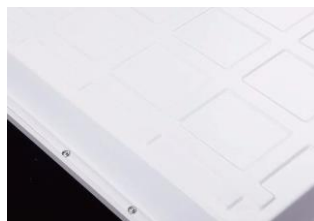
Isolated Driver

Philips/Tridonic/Lifud for optional, high efficiency, PF>0.9, THD<15%, 5 years warranty.



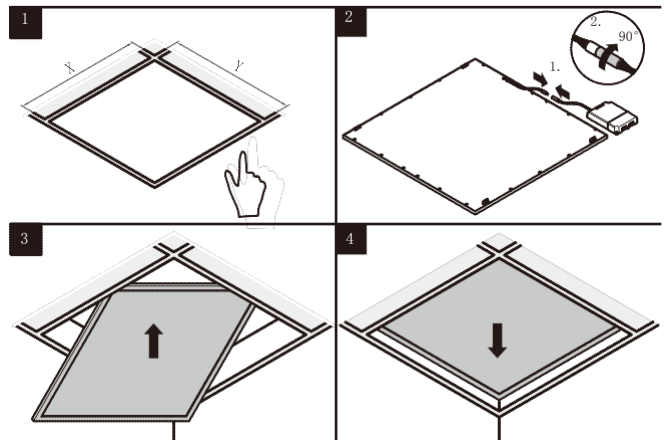
Back board

The back board is made of steel, which will absorb a large portion of heat created by the leds, film laminated surface helps it to be insulated from current, safe for use.



Installation

Embedded installation



Packing List

Item No.	Outer Carton (L*W*H)	Q'ty/CTNo	G.W/CTN	QTY / 20GP	Volume / Carton(m ³)
BPL3030A-18W	340*400*340mm	10PCS	6.5kg	3700PCS	0.046
BPL6060A-36W	640*230*640mm	6PCS	11.8kg	1800PCS	0.094
BPL6262A-36W	660*230*660mm	6PCS	12.9kg	1700PCS	0.100
BPL30120A-36W	1240*230*340mm	6PCS	12.2kg	1800PCS	0.096
BPL60120A-54W	1275*265*630mm	6PCS	27.6kg	800PCS	0.213
BPL6060B-36W	640*230*640mm	8PCS	13.4kg	2400PCS	0.094
BPL6262B-36W	660*230*660mm	8PCS	14.8kg	2300PCS	0.100

