

CGT

info@cgtled.com

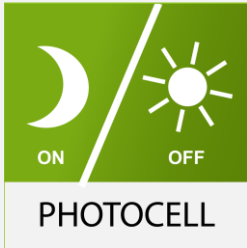


WP-18A2

Mini LED Wall Mount

Feature

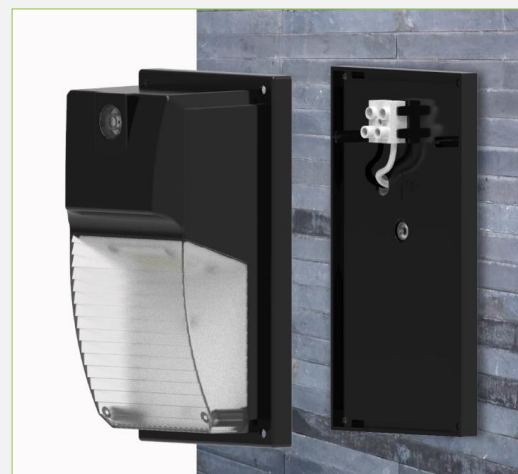
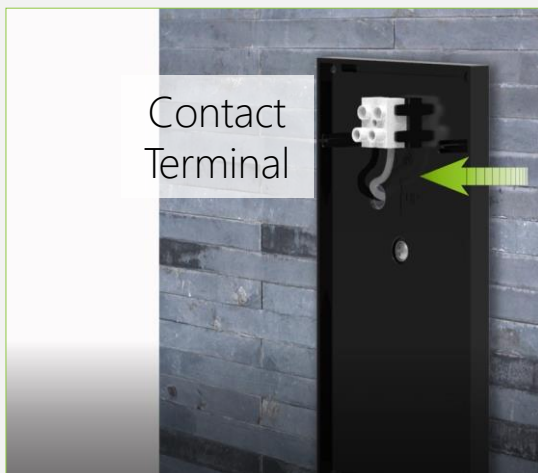
- ETL cETL DLC Listed.
- High Lumens 120lm/w
- Photocell Optional
- Easy to Installation for Junction Box
- 5 Years Warranty



High transmittance
Frosted PC cover

Mounting Bracket
For Junction Box

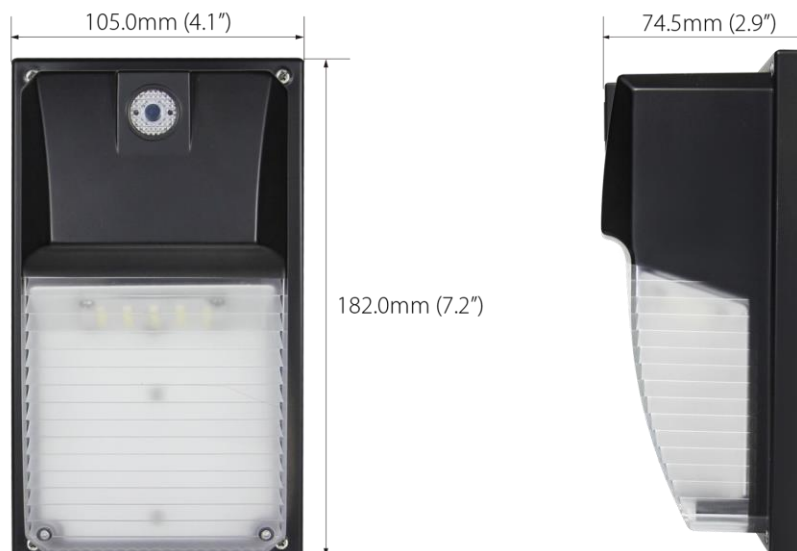
Split design, Install more easily

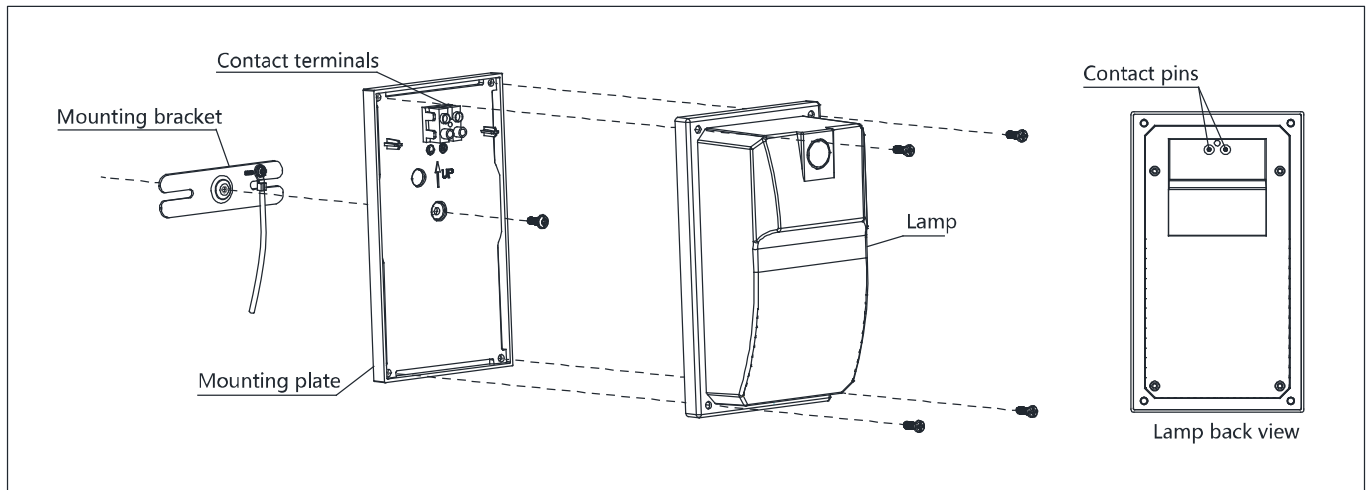


Parameter

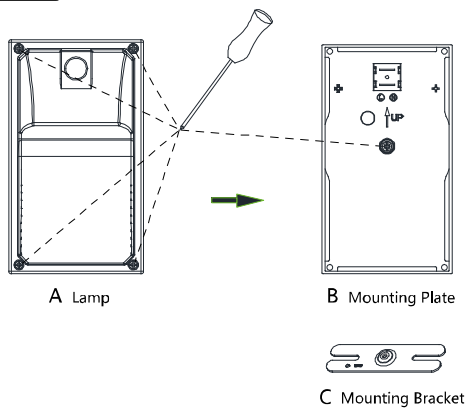
Model No.	WP-18A2
Wattage	18W
Luminous Efficacy	120lm/w
Lumens output	2160lm
LEDs Type	SMD3030
CCT	3000K, 4000K, 5000K
CRI	70+ or 80+
Beam Angle	120°
Input Voltage	100-277Vac 50/60Hz
Function	Photocell optional
Power Factor	>0.90
IP Rating	IP54 /Wet Location
Working Temp.	-20° C ~ 45° C (-22° F~122° F)
Storage Temp.	-40° C ~ 70° C (-40° F~158° F)
Finish	Black
Housing	PC
Diffuser	PC Cover
Installation	Wall Mounting
Lifespan(L70)	>100,000 Hours
Certification	ETL, cETL, DLC
Package	40pcs/carton, 59x39x33cm, G.W:19kg

Dimension



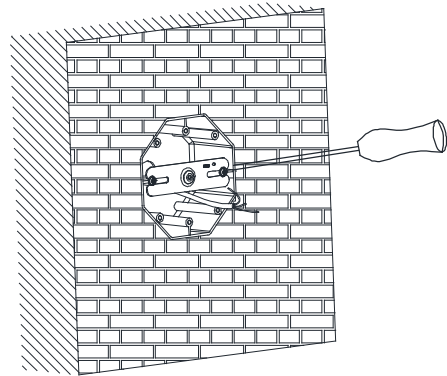


Step 1



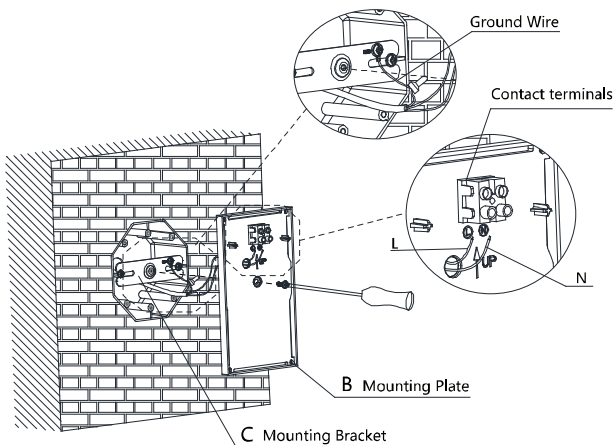
Use a screwdriver to loosen screws (A)(B), then get three main components (A:lamp, B:mounting plate, C:mounting bracket).

Step 2



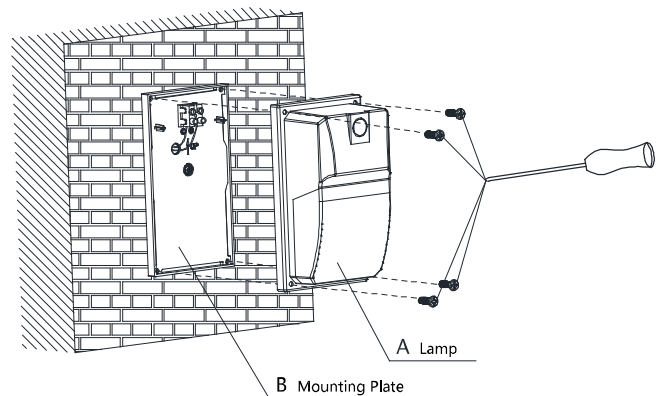
Fasten the mounting bracket to the reserved junction box with screws.

Step 3



Use a screwdriver to screw B to C, Connect ground wire and Put L wire and N wire into the Contact terminals.

Step 4



Use a screwdriver to fix A(Lamp) to B(Mounting Plate).