

LED Grow Light (Full Spectrum + IR + UV)

LED Grow Light shines in a broader range of spectrum compared to other fluorescent lights, providing your plants with sun-like spectrum.

Input Voltage: 120-277V/277-480V

630/680/720

FEATURES

It's a foldable LED fixture,with 6、 8 bars,dimension is 44.5"x 41.9" (1130X1065MM),evenly cover 4'X4' and 5X5' area.

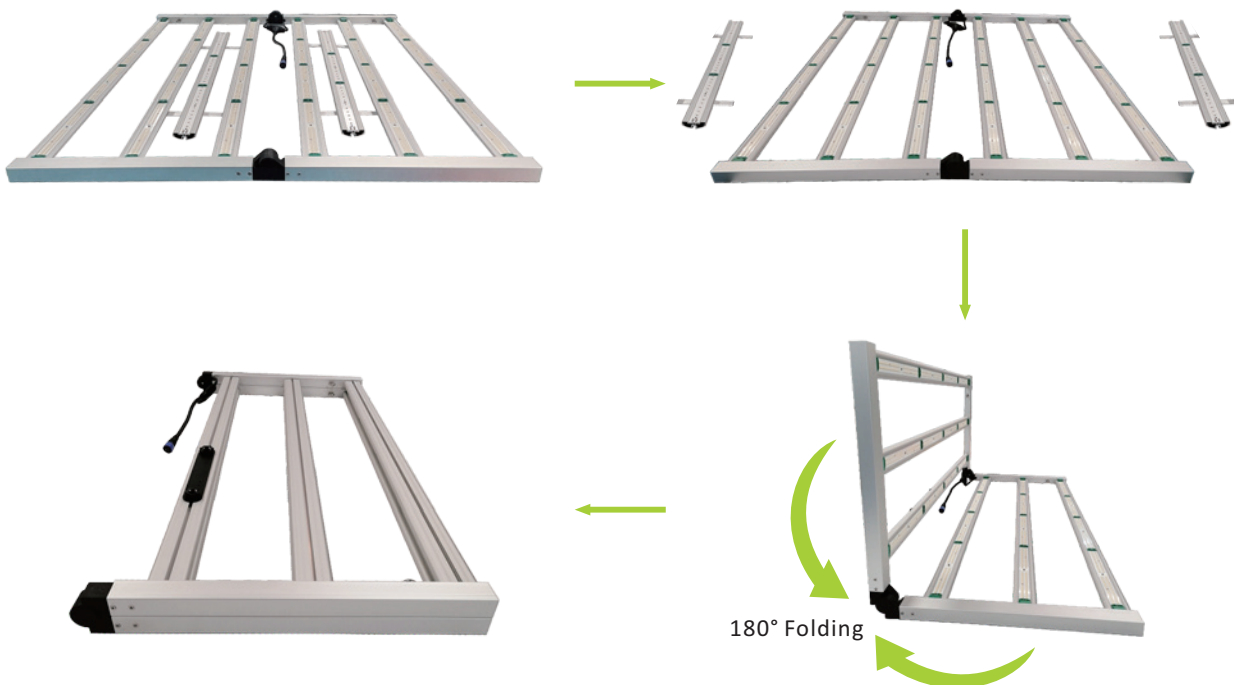
Up to720W,provide powerful and quality light to the plant.

Using Samsung /Seoul white chips and Osram red chips,efficacy up to 2.8/3.0 $\mu\text{mol}/\text{J}$,PPF up to 2016/2040 $\mu\text{mol}/\text{s}$.

External a control system on Master,with a shift dimmer . One PLV can control up to 60pcs of Stations. In other words,any changes made in Master will sync across all the connected Stations.

Spectrum Tunable. There are more types of spectrum built-in this fixture,it provides suitable spectrum for different stages of cannabis grow.

UV/IR enhanced bar are optional,and easy to install/uninstall from the fixtures.



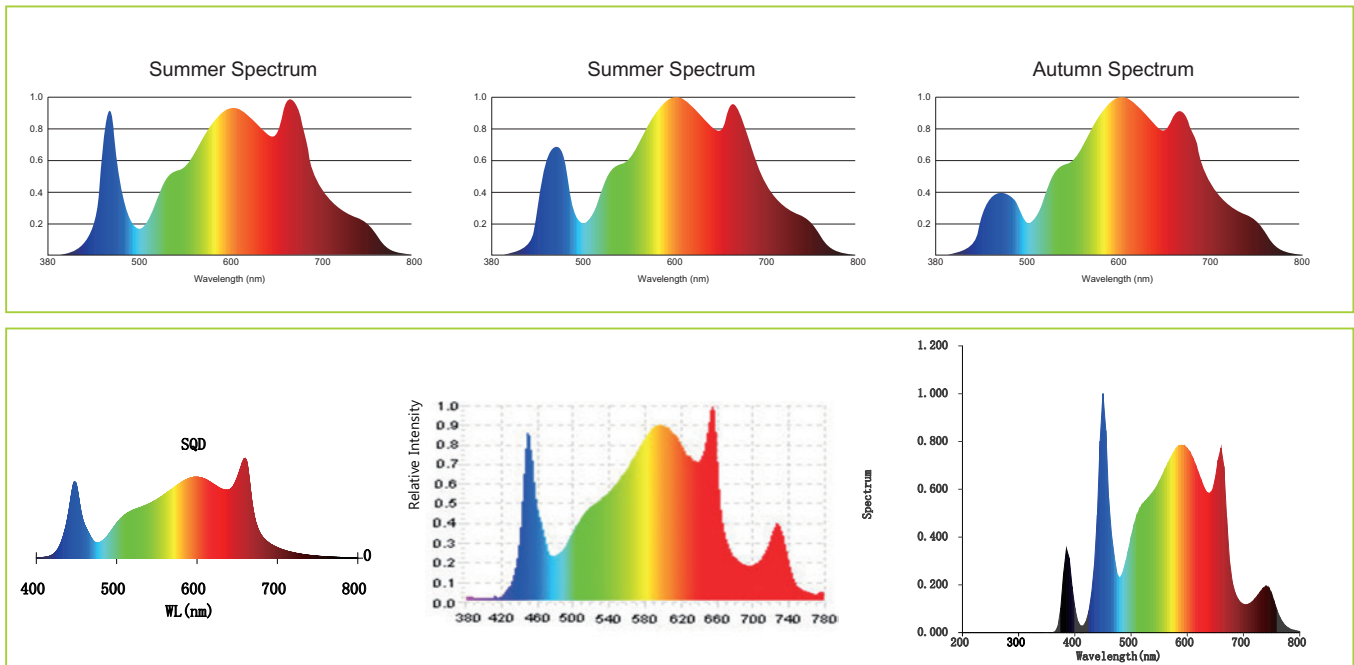
GL-A1 LED GROW LIGHT

TECHNICAL SPECIFICATIONS

| Product type | LED Grow Light | LED Grow Light | LED Grow Light |
|------------------------|---|---|---|
| Series | A1 | A1 | A1 |
| Model | GL-A1-630-A-JB-H | GL-A1-680-A-JB-H | GL-A1-720-A-JB-H |
| Controller | NO dimmer /Shift dimmer/Stepless dimmer | NO dimmer /Shift dimmer/Stepless dimmer | NO dimmer /Shift dimmer/Stepless dimmer |
| Power | 630 | 680 | 720 |
| LED driver | Silcpower/Inventronics | Silcpower/Inventronics | Silcpower/Inventronics |
| Efficacy(μmol/J) | 2.8(H) | 3.0(H) | 2.8(H) |
| PPF(μmol/S) | 1764 | 2040 | 2016 |
| Manual Dim | 20%/40%/60%/80%/100% | 20%/40%/60%/80%/100% | 20%/40%/60%/80%/100% |
| Input Voltage | Autosensing 120-277V/120-240V/347-480V | Autosensing 120-277V/120-240V/347-480V | Autosensing 120-277V/120-240V/347-480V |
| Dimming | 0-10V Dimmable | 0-10V Dimmable | 0-10V Dimmable |
| Mounting Height | ≥6"(15cm)Above Canopy | ≥6"(15cm)Above Canopy | ≥6"(15cm)Above Canopy |
| Thermal Management | Passive | Passive | Passive |
| Power Factor | > 90% | > 90% | > 90% |
| Colour Rendering Index | > 80ra | > 80ra | > 80ra |
| Ambient Temperature | -40~40°C | -40~40°C | -40~40°C |
| Storage Environment | -40-85°C RH10%-95% | -40-85°C RH10%-95% | -40-85°C RH10%-95% |
| AC Power Cord | SJTW 16AWG 10Ft(3m) | SJTW 16AWG 10Ft(3m) | SJTW 16AWG 10Ft(3m) |
| AC Plug | 5/6/7- 15/20P UK/EU/AU/US | 5/6/7- 15/20P UK/EU/AU/US | 5/6/7- 15/20P UK/EU/AU/US |
| Mounting Hardware | Screws 1/8" RatchetMounting Brackets | Screws 1/8" RatchetMounting Brackets | Screws 1/8" RatchetMounting Brackets |
| The light wavelength | 400-800nm | 400-800nm | 400-800nm |
| CCT | 4000K/3000-6500k | 4000K/3000-6500k | 4000K/3000-6500k |
| Chip | Samsung/Seoul/Osram/TYF(China) | Samsung/Seoul/Osram/TYF(China) | Samsung/Seoul/Osram/TYF(China) |
| IR | 730A/B | 730A/B | 730A/B |
| Class | IP 65/44 | IP 65/44 | IP 65/44 |
| Fixture Dimensions | L44.5"x W41.9" x H4.4" (1130x1065x112mm) | L44.5"x W41.9" x H4.4" (1130x1065x112mm) | L44.5"x W41.9" x H4.4" (1130x1065x112mm) |
| Net Weight | 23.4Lb(10.6kg) | 26.2Lb(11.9kg) | 26.2Lb(11.9kg) |
| Gross Weight | 27.3Lb(12.4kg) | 30.4Lb(13.8kg) | 30.4Lb(13.8kg) |
| Picking size | L46"x W4.3" x H27.2" (1170x110x690mm) | L46"x W4.3" x H27.2" (1170x110x690mm) | L46"x W4.3" x H27.2" (1170x110x690mm) |
| Color | SL/BK/WT/GN | SL/BK/WT/GN | SL/BK/WT/GN |
| Lifetime | 50,000hrs | 50,000hrs | 50,000hrs |
| Warranty | 5 Years Standard Warranty | 5 Years Standard Warranty | 5 Years Standard Warranty |
| Certificates | ETL , DLC , CE , RoHS | ETL , DLC , CE , RoHS | ETL , DLC , CE , RoHS |

GL-A1 LED GROW LIGHT

SPECTRUM EMBEDDED



SOLUTION RJ PORTS

One Master can control < 60 Stations.
Each station has 2 RJ Ports for easy connection.



External Controller
DC OUTPUT



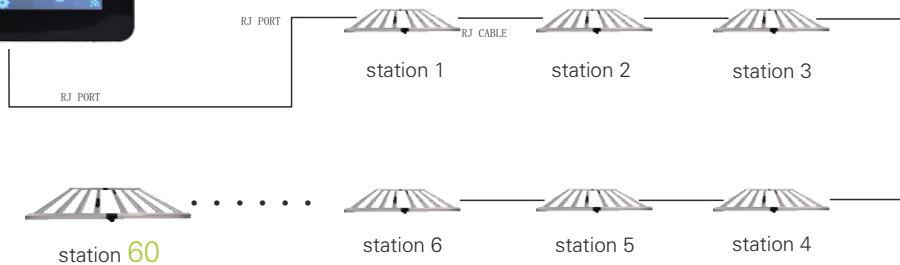
AC INPUT



2RJ PORTS



MASTER



GL-A1 LED GROW LIGHT

PPFD(PAR CHART)

GL-A1-630W-H PPFD MAP
TEST AREA 2X2ft

| 12inch | | | | |
|--------|--------|--------|---------|--------|
| 688.2 | 897.06 | 912.39 | 872.12 | 636.97 |
| 811.07 | 1017.8 | 1051.2 | 999.55 | 792.5 |
| 869.41 | 1091.1 | 1106.5 | 1069.86 | 832.94 |
| 846.38 | 1017.2 | 1064.4 | 996.07 | 821.39 |
| 701.95 | 903.25 | 934.99 | 887.16 | 676.24 |
| 16inch | | | | |
| 599.93 | 747.19 | 788.72 | 737.14 | 578.15 |
| 700.6 | 882.86 | 930.31 | 868.85 | 677.13 |
| 710.42 | 923.31 | 982.09 | 900.4 | 696.51 |
| 711.17 | 900.18 | 944.72 | 897.18 | 694.65 |
| 602.09 | 807.7 | 810.67 | 772.53 | 588.93 |
| 24inch | | | | |
| 454.51 | 547.11 | 569.64 | 523.66 | 430.29 |
| 520.16 | 650.97 | 676.48 | 630.27 | 499.57 |
| 559.63 | 669.86 | 713.96 | 650.01 | 532.81 |
| 532.61 | 652.08 | 680.64 | 631.25 | 510.71 |
| 452.57 | 556.11 | 583.22 | 540.14 | 447.14 |
| 32inch | | | | |
| 350.64 | 421.41 | 441.54 | 404.88 | 336.31 |
| 417.94 | 487.95 | 506.98 | 474.89 | 398.31 |
| 435.05 | 514.16 | 534.24 | 496.09 | 415.92 |
| 417.34 | 490.4 | 508.67 | 471.67 | 399.08 |
| 362.74 | 422.88 | 440.71 | 409.83 | 343.64 |
| 40inch | | | | |
| 285.45 | 325.6 | 336.89 | 314.34 | 275.66 |
| 322.69 | 365.94 | 379.06 | 357.02 | 307.81 |
| 337.24 | 382.82 | 395.07 | 373.04 | 321.39 |
| 322.34 | 367.31 | 378.82 | 358.44 | 310.89 |
| 285.1 | 324.81 | 336.02 | 318.72 | 278.59 |

GL-A1-680W-H PPFD MAP
TEST AREA 2X2ft

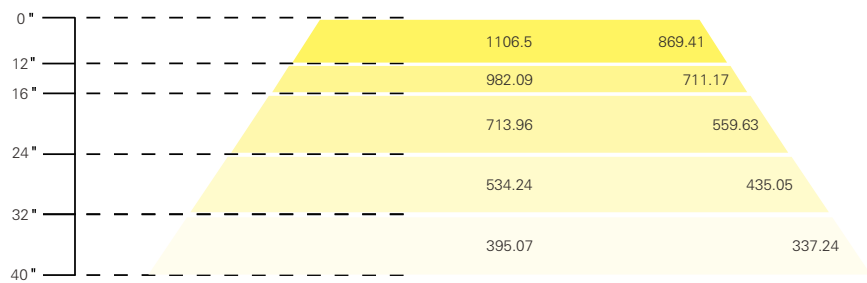
| 12inch | | | | |
|--------|--------|--------|--------|--------|
| 821.3 | 1031.3 | 1093.2 | 1018.9 | 806.1 |
| 924.31 | 1138.6 | 1245.1 | 1119.5 | 908.74 |
| 928.32 | 1163 | 1293.7 | 1159.6 | 914.23 |
| 957.9 | 1173.5 | 1244.7 | 1158.1 | 934.88 |
| 869.72 | 1095.9 | 1125.8 | 1078.4 | 875.46 |
| 16inch | | | | |
| 685.23 | 877.11 | 933.85 | 876.78 | 669.3 |
| 813.74 | 1042.9 | 1080.5 | 1023.5 | 789.37 |
| 835.88 | 1061.3 | 1098.1 | 1058.9 | 826.38 |
| 812.23 | 1046.3 | 1092.5 | 1029.4 | 803.12 |
| 730.22 | 924.05 | 962.05 | 910.75 | 725.68 |
| 24inch | | | | |
| 500.18 | 632.45 | 666.21 | 623.31 | 503.48 |
| 602.69 | 744.99 | 787.79 | 732.35 | 589.26 |
| 632.8 | 785.59 | 824.47 | 766.14 | 620.38 |
| 609.55 | 757.73 | 797.14 | 745.18 | 607.54 |
| 518.79 | 650.88 | 691.87 | 646.52 | 530.98 |
| 32inch | | | | |
| 386.73 | 452.62 | 476.27 | 441.95 | 373.52 |
| 446.04 | 528.43 | 552.4 | 520.82 | 436.78 |
| 472.32 | 556.39 | 582.96 | 549.1 | 461.69 |
| 453.64 | 535.56 | 562.21 | 530.04 | 450.91 |
| 396.55 | 466.62 | 492.79 | 462.81 | 395.6 |
| 40inch | | | | |
| 315.75 | 357.91 | 372.15 | 353.48 | 306.6 |
| 355.02 | 406.96 | 425.87 | 403.41 | 347.69 |
| 374.3 | 428.13 | 445.85 | 423.96 | 368.78 |
| 361.85 | 414.49 | 431.79 | 412.65 | 363.37 |
| 323.85 | 370.42 | 385.82 | 369.29 | 324.05 |

GL-A1-720W-H PPFD MAP
TEST AREA 2X2ft

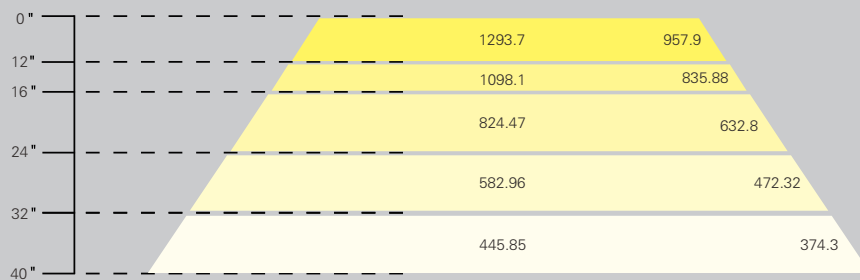
| 12inch | | | | |
|--------|---------|--------|---------|--------|
| 867.42 | 1079.5 | 11119 | 1061 | 839.43 |
| 1002.1 | 1238.8 | 1280.3 | 1217.7 | 981.77 |
| 949.25 | 1181.6 | 1329.8 | 1170.5 | 925.55 |
| 993.91 | 1243.5 | 1278.3 | 1220.9 | 976.02 |
| 903.65 | 1126.7 | 1167.9 | 1108.6 | 877.21 |
| 16inch | | | | |
| 713.96 | 866.83 | 941.14 | 873.8 | 696.65 |
| 838.63 | 11050.2 | 1118.6 | 1031.6 | 810.51 |
| 853.4 | 1092.2 | 1129.8 | 164.9 | 833.31 |
| 839.04 | 1052.6 | 1118.3 | 1054.9 | 821.34 |
| 747.98 | 950.29 | 984.85 | 932.51 | 736.08 |
| 24inch | | | | |
| 512.16 | 641.31 | 676.56 | 622.26 | 500.47 |
| 609.54 | 760.56 | 801.25 | 743.57 | 598.89 |
| 642.67 | 798.69 | 839.75 | 779.51 | 627.81 |
| 624.73 | 776.71 | 809.49 | 754.09 | 604.77 |
| 538.54 | 664.27 | 706.62 | 654.09 | 531.67 |
| 32inch | | | | |
| 392.58 | 467.19 | 490.54 | 459.22 | 386.52 |
| 460.37 | 542.6 | 569.88 | 5237.26 | 448.24 |
| 485.51 | 574.27 | 602.04 | 566.71 | 476.02 |
| 466.12 | 552.82 | 579.24 | 547.1 | 460.37 |
| 408.67 | 482.2 | 509.27 | 478.79 | 409.22 |
| 40inch | | | | |
| 323.12 | 369.12 | 383.22 | 361.99 | 317.1 |
| 366.05 | 416.84 | 436.27 | 412.87 | 358.68 |
| 382.5 | 438.09 | 456.47 | 434.8 | 376.9 |
| 370.39 | 423.97 | 441.39 | 420.23 | 366.49 |
| 331.78 | 378.88 | 394.14 | 375.05 | 328.02 |

GL-A1 LED GROW LIGHT

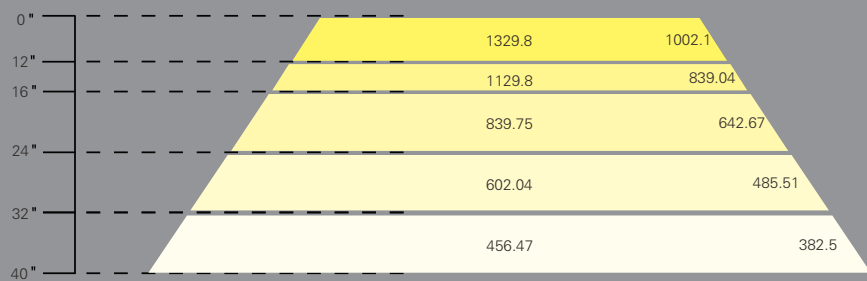
PAR VALUE ($\mu\text{mol}/\text{m}^2/\text{s}$)



GL-A1-630W V1 Spectrum 2.8 $\mu\text{mol}/\text{J}$



GL-A1-680W V1 Spectrum 3.0 $\mu\text{mol}/\text{J}$

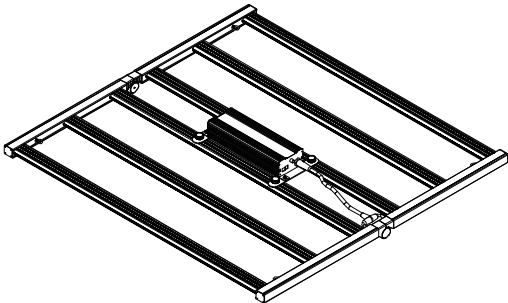
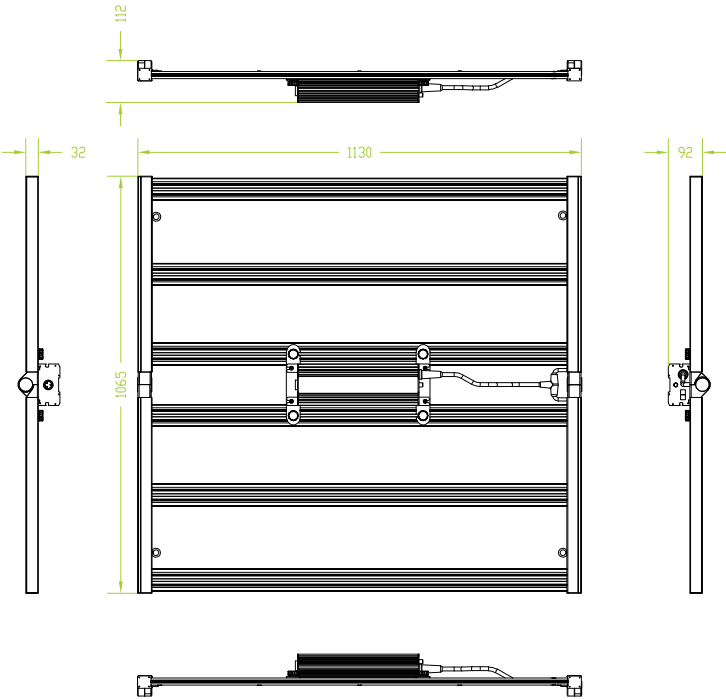


GL-A1-720W V1 Spectrum 2.8 $\mu\text{mol}/\text{J}$

GL-A1 LED GROW LIGHT

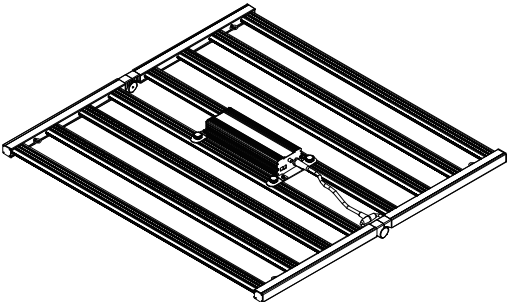
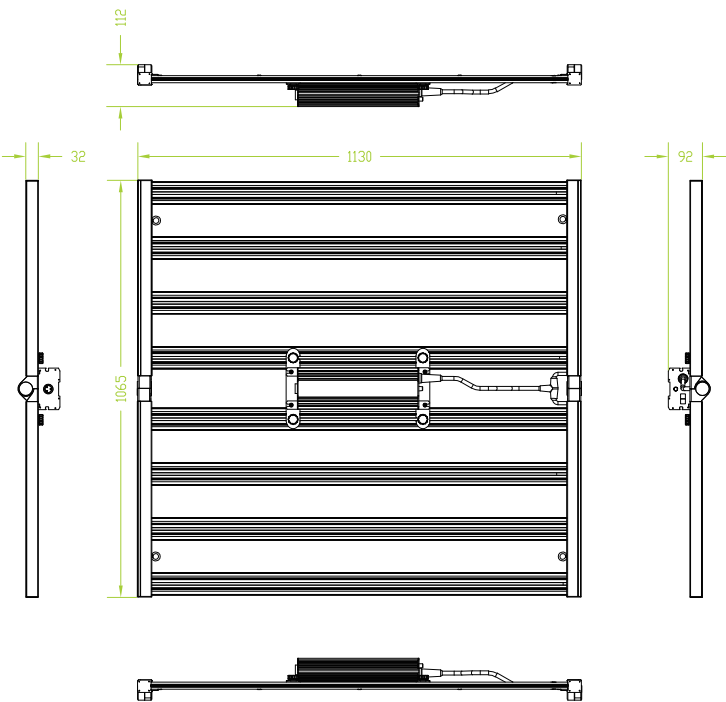
DIMENSION(mm)

630W



DIMENSION(mm)

680W/720W



GL-A1 LED GROW LIGHT

EASY INSTALLATION

Our creative mechanism design enables you the most time-saving and a convenient way to install the fixture .

