



70W/100W/150W/200W

## Applications

- Perfect for open areas and spaces that require high output and wide light distribution.
- Great for illuminating yard, driveways, billboards, signage, warehouse as well as for security applications.



# Feature

- Die-cast aluminum housing has integral fin type heat sink to optimize thermal management.
- Tempered Glass Cover Daylight-Resistant
- IP65 Wet Location. IK08
- SCP/OVP/OTP protection driver, 90-350Vac
- 6KV/10KV surge protection
- High Luminous efficacy 140lm/w, CRI>80
- Flicker Free
- 5 Years Warranty

IP65

IK08



High light transmittance glass and multiple Angle PC lens, 30/60/90/120/AWB Distribution optional

LUMILEDS SMD3030 LED Chips  
130lm/w , CRI>80, R9>0

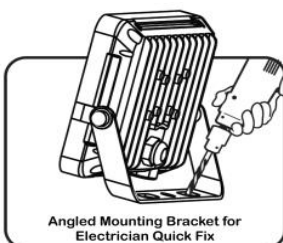
Waterproof structure design  
IP65 rated and IK08 rating

Flicker Free High Quality Driver  
6KV/10KV surge protection

Die-Casting Aluminum body  
With good Heat Dissipation.

Rotating Bottom 270°

Label Position



Angled Mounting Bracket for Electrician Quick Fix

Angled Mounting Bracket For  
Quick Installation



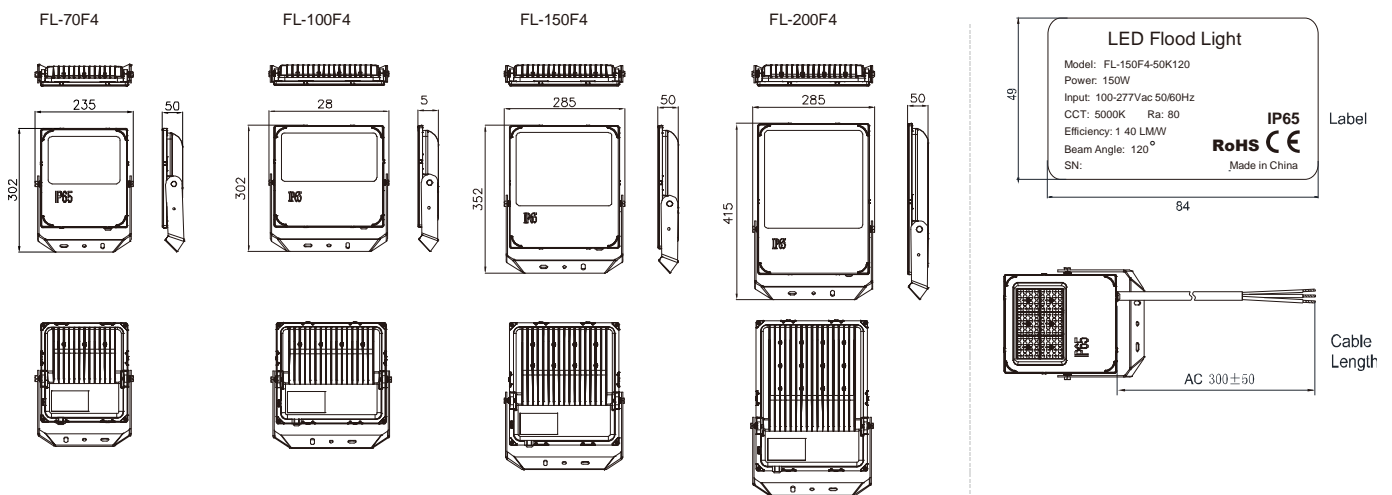
LED AREA LIGHT  
Model: SPL1100W  
Input: 240VAC/50/60Hz  
Power: 150W CCT: 5000K  
Beam Angle: AWB CRI: 70  
Efficiency: 150LM/W  
Date: 2021/04  
IP65  
RoHS

# Parameter

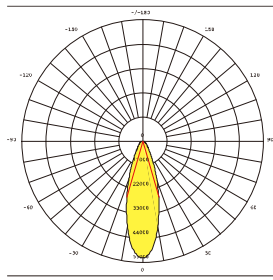
Model No.	FL-70F4	FL-100F4	FL-150F4	FL-200F4
Wattage	70W	100W	150W	200W
Efficacy	140lm/w	140lm/w	140lm/w	140lm/w
Lumens	9800lm	14000lm	21000lm	28000lm
Fixture Weight	2.4kg	2.8kg	3.3kg	3.85kg
LED QTY	96	126	189	252
DC Output	142V@0.48A	120V@0.78A	120V@1.17A	120V@1.56
LEDs Brand	SMD3030			
CCT	3000K/ 4000K / 5000K/ 5700K/ 6500K			
CRI	80+			
Beam Angle	30°/ 60° / 90° / 120° /AWB			
Voltage	90-305Vac 50/60Hz			
PF	>0.95			
IP/ IK Rating	IP65 / IK08			
Working Temp.	-40°C ~ 50°C (-40°F~122°F)			
Storage Temp.	-40°C ~ 85°C (-40°F~185°F)			
Finish	Black RAL9005 (others customized)			
Housing	Die-casting Aluminum			
Diffuser	Clear Glass Lens			
Installation	mounted			
Lifespan(L70)	>100,000 Hours			
Certification	CE, Rohs			

# Dimension

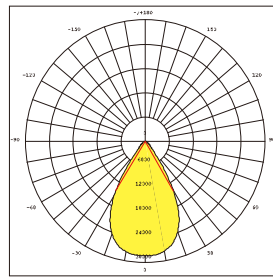
Unit: mm



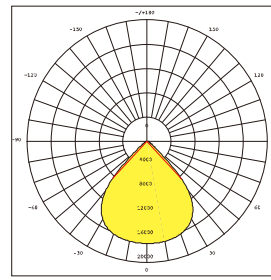
## Distribution



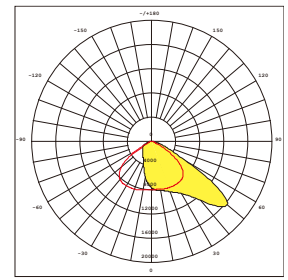
30°



60°



90°



AWB

## Order Information

Sample: FL-150F4-50K120

	-XXX	XXX	-X
Product Family	CCT	Distribution	Function
FL-70F4 = 70W FL-100F4 = 100W FL-150F4 = 150W FL-200F4 = 200W	30K = 3000K 40K = 4000K 50K = 5000K 57K = 5700K 65K = 6500K	30 = 30° 60 = 60° 90 = 90° 120 = 120° AWB= Asymmetric	Blank = Non-dimming D1 = 1-10V Dimming DA = DALI Dimming

## Package Information

ITEM	QTY/CTN	G. W.	CTN MEAS	Volume(CBM)	QTY(20GP)	QTY(40HQ)
FL-70F4	5	15.1kg	50x38.5x29cm	0.056	2500	5750
FL-100F4	5	16.5kg	50x38.5x34cm	0.065	1900	4700
FL-150F4	5	19.0kg	50x43.5x34cm	0.074	1700	4125
FL-200F4	4	17.7kg	49.6x39.5x34cm	0.068	1480	3440